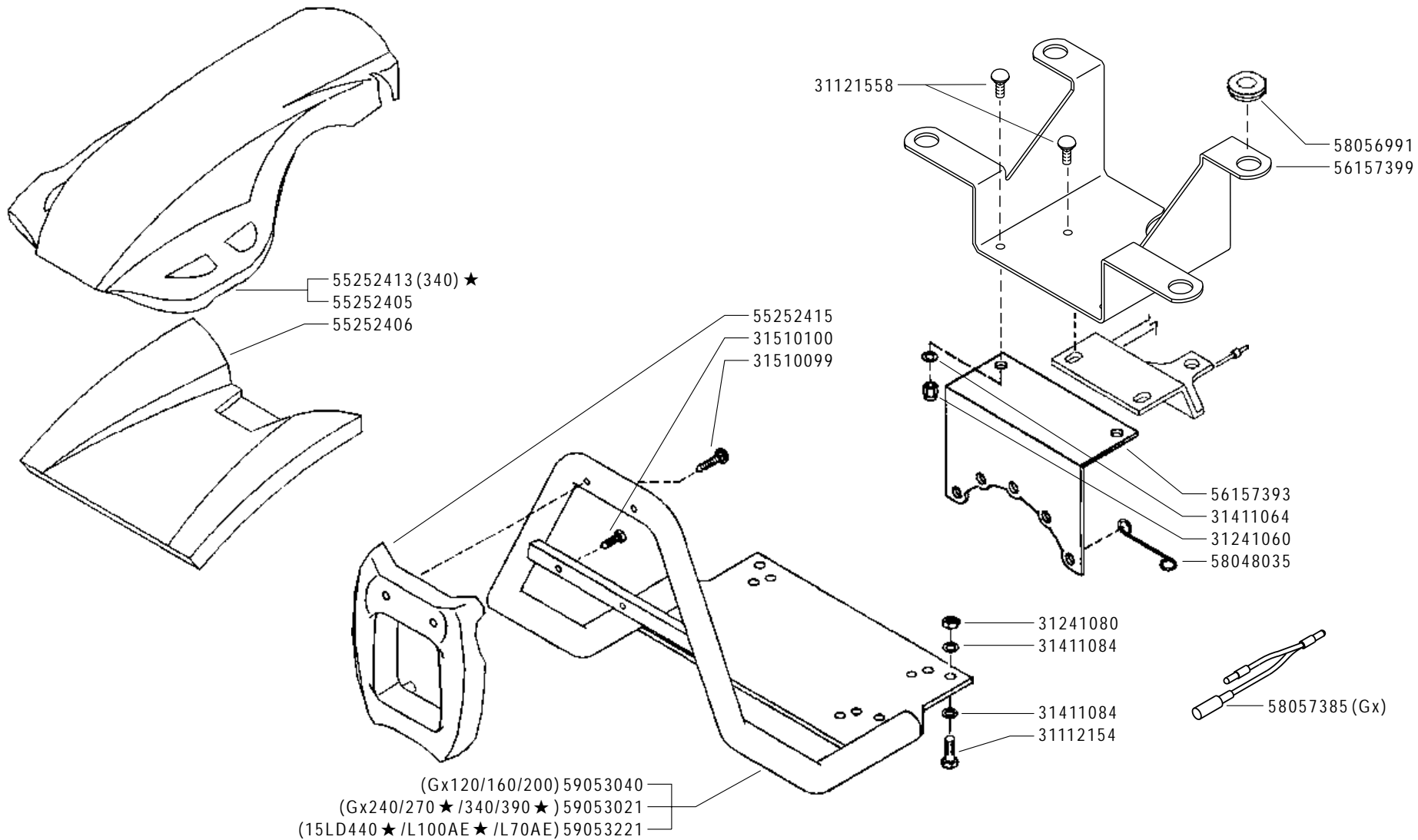


# Inhoudsopgave

Drijfwerkhuis .....	7
Elektrische Delen .....	29
Index .....	39
Kappen & Bumper .....	3
Koppeling .....	5
Schakelpoken .....	23
Stickers .....	31
Stuur .....	19
Stuurboom .....	15
Tandwielen & PTO .....	9
Wielassen & Differentieel .....	13
Wielen & Gewichten .....	27

<b>Code</b>	<b>Description</b>	<b>Notes</b>
C01_1_60543	ENGINE PROTECTIONS	
D01_2_60564	CLUTCH	
E02_0_60592	GEARBOX (340)	
F03_0_60629	GEARS (340)	
G03_0_60674	DIFFERENTIAL (340)	
H03_0_60737	STEERING COLUMN (340)	
I03_0_60817	HANDLEBAR (340)	
J03_0_60869	CONTROLS (340)	
K01_1_60913	WHEELS	
L01_2_60940	ELECTRIC STARTER	Version: 320 trendy, 330 trendy
M01_1_60965	STICKERS	
M02_1_60983	STICKERS	
F.03.02.A0027_01	GEARS (340)	



PROTEZIONI MOTORE

ENGINE PROTECTIONS  
 PROTECCIONES MOTOR

PROTECTIONS MOTEUR  
 MOTORSCHUTZ

DALLA MACCHINA  
 FROM THE MACHINE  
 DE LA MACHINE  
 DE LA MAQUINA  
 AB DER MASCHINE

★ N.

AGGIORNAMENTO
REVISION
MISE A JOUR
APLAZAMIENTO
ANPASSUNG

**C01** 1

10/2008

Rev.

ZENNE

**FERRARI**

**300 TRENDY**

Pos.	Code	Q.ty	Description	Notes
31112154	31112154	1	SCREW TE M8X40 UNI 5739 8G	
31121558	31121558	1	SCREW TTQ M6X16 UNI 5731	
31241060	31241060	1	SELFLOCK NUT M6	
31241080	31241080	1	SELFLOCK NUT M8	
31411064	31411064	1	WASHER 6,4x12,5	
31411084	31411084	1	WASHER 8,4x17	
31510099	31510099	1	RIBBED SCREW 6,3X38 UNI 6950	
31510100	31510100	1	RIBBED SCREW 6,3X19 UNI 6950	
55252405	55252405	1	GUARD	
55252406	55252406	1	GUARD	
55252413	55252413	1	GUARD	
55252415	55252415	1	GUARD	
56157393	56157393	1	HOLDER	
56157399	56157399	1	HOLDER	
58048035	58048035	1	HOLDER	
58056991	58056991	1	CABLE GLAND	
58057385	58057385	1	LINE	
59053021	59053021	1	COMPLETE BUMPERS	
59053040	59053040	1	COMPLETE BUMPERS	
59053221	59053221	1	COMPLETE BUMPERS	

ROBIN EX 17 - HONDA Gx 120/160/200 31100003  
 HONDA Gx 240/270/340/390 31100015

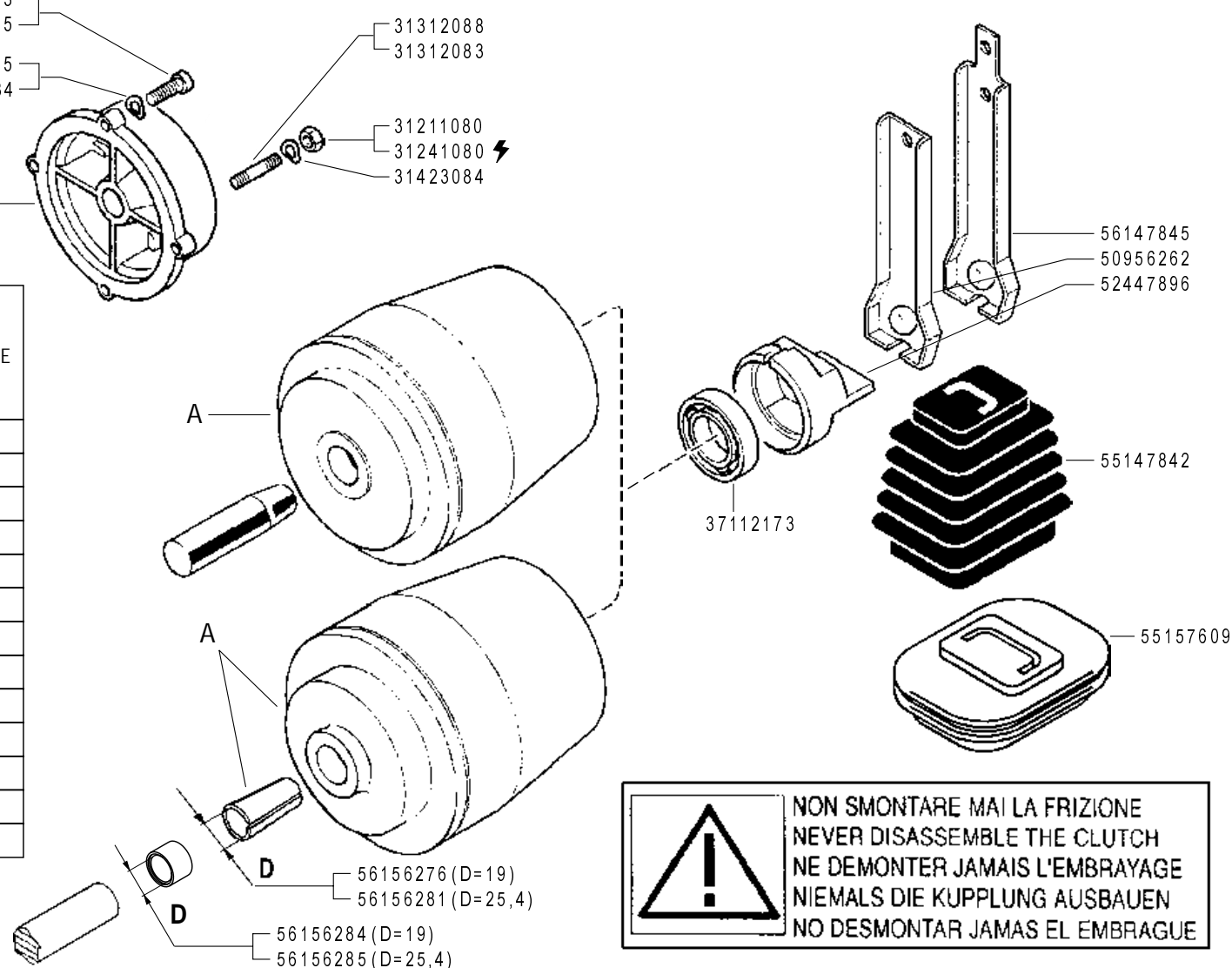
HONDA Gx 240/270/340/390 31423105  
 31423084

31312088  
 31312083

31211080  
 31241080 ⚡  
 31423084

ROBIN EX 17 - HONDA Gx 120/160/200 53247488  
 HONDA Gx 240/270/340/390 53156150

MOTORE ENGINE MOTEUR MOTOR MOTOR	FRIZIONE CLUTCH A EMBRAYAGE EMBRAGUE KUPPLUNG
Acme A220	59247884
Acme A220 (REF.)	59256255
Acme ACT 280 - A349 - A360	59247884
Acme ACT 340	59247971
Honda Gx 390 - Gx 340 D=25,4	59256280
Honda Gx 240/270 D=25,4	59256279
Honda Gx 120/160/200 D=19	59256275
Lombardini 15LD315/350	59247884
Lombardini 15LD440 ★	59247971
Lombardini 15LD500	59247924
ROBIN EX 17 ★	59256275
Yanmar L100AE	59247971
Yanmar L70AE	59247884



**⚠** NON SMONTARE MAI LA FRIZIONE  
 NEVER DISASSEMBLE THE CLUTCH  
 NE DEMONTER JAMAIS L'EMBRAYAGE  
 NIEMALS DIE KUPPLUNG AUSBAUEN  
 NO DESMONTAR JAMAS EL EMBRAGUE

**FERRARI**

**300 TRENDY**

**FRIZIONE A CONO AUTOVENTILANTE**

CLUTCH  
 EMBRAGUE

EMBRAYAGE  
 KUPPLUNG

DALLA MACCHINA  
 FROM THE MACHINE  
 DE LA MACHINE  
 DE LA MAQUINA  
 AB DER MASCHINE

AGGIORNAMENTO

REVISION

MISE A JOUR

APLAZAMIENTO

ANPASSUNG

★ N.

**D01 2**

10/2008

Rev.

ZENNE

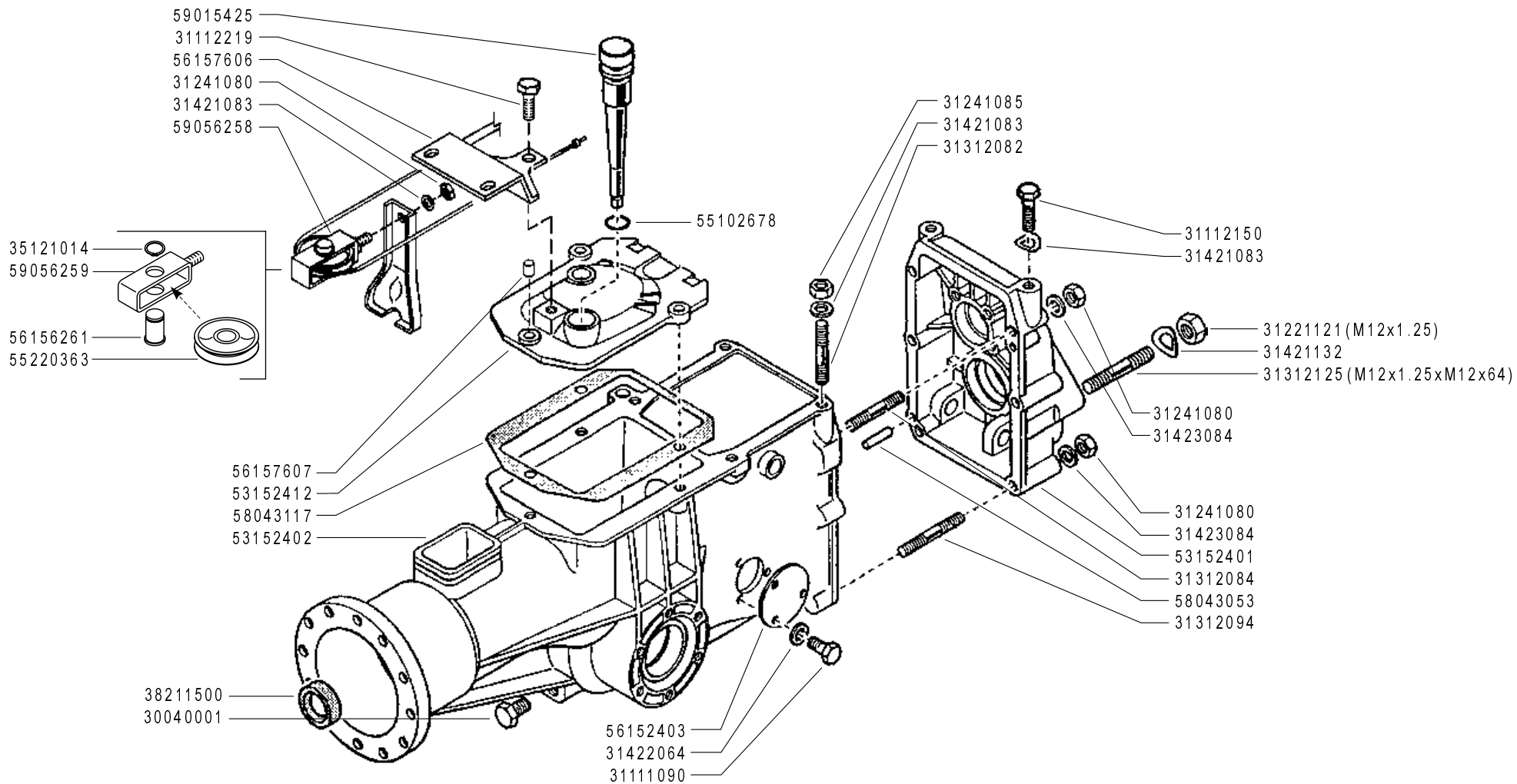
Pos.	Code	Q.ty	Description	Notes
31100003	31100003	1	SCREW TE 5/16X7/8	
31100015	31100015	1	SCREW TE 3/8X1	
31211080	31211080	1	NUT M8	
31241080	31241080	1	SELFLOCK NUT M8	
31312083	31312083	1	STUD BOLT M8X46X16X16	
31312088	31312088	1	STUD BOLT M8X40X14X14	
31423084	31423084	1	SPRING WASHER 8,4	
31423105	31423105	1	SPRING WASHER 10,5	
37112173	37112173	1	BEARING	
50956262	50956262	1	CLUTCH LEVER	
52447896	52447896	1	PRESSURE PLATE	
53156150	53156150	1	ENGINE FLANGE	
53247488	53247488	1	ENGINE FLANGE	
55147842	55147842	1	BELLOWS	
55157609	55157609	1	BELLOWS	
56147845	56147845	1	CLUTCH LEVER	
56156276	56156276	1	SLEEVE	
56156281	56156281	1	CENTRING BUSH	
56156284	56156284	1	SPACER	
56156285	56156285	1	SPACER	
59247884	59247884	1	CLUTCH ASSY	
59247924	59247924	1	CLUTCH	
59247971	59247971	1	CLUTCH	
59256255	59256255	1	CLUTCH ASSY	
59256275	59256275	1	CLUTCH ASSY	
59256279	59256279	1	CLUTCH ASSY	
59256280	59256280	1	CLUTCH ASSY	

SERIAL

**CLUTCH**

CODE REV

**D01\_2\_60564**



**FERRARI**

**300 TRENDY**

**SCATOLA CAMBIO (340)**

GEARBOX  
CAJA DE CAMBIO

BOITE DE VITESSES  
WECHSELGETRIEBE

DALLA MACCHINA  
DE LA MAQUINA  
FROM THE MACHINE  
AB DER MASCHINE

N.

**E02** 0

10/2008

Rev.

ZENNE

Pos.	Code	Q.ty	Description	Notes
30040001	30040001	1	PLUG	
31111090	31111090	1	SCREW TE M5X10 UNI 5739 8G	
31112150	31112150	1	SCREW TE M8X20 UNI 5739 8G	
31112219	31112219	1	SCREW TE M10X25 UNI 5739	
31221121	31221121	1	NUT M12X1,25	
31241080	31241080	1	SELFLOCK NUT M8	
31241085	31241085	1	SELFLOCK NUT M8 6S	
31312082	31312082	1	STUD BOLT M8X38X14X20	
31312084	31312084	1	STUD BOLT M8X58X16X16	
31312094	31312094	1	STUD BOLT M8X68X14X36	
31312125	31312125	1	STUD BOLT	
31421083	31421083	1	WASHER	
31421132	31421132	1	WASHER 13X24X2,8	
31422064	31422064	1	SPRING WASHER 6,4	
31423084	31423084	1	SPRING WASHER 8,4	
35121014	35121014	1	SEEGER RING E 14 DIN 471	
38211500	38211500	1	OIL SEAL 15X28X7	
53152401	53152401	1	REAR COVER	
53152402	53152402	1	BODY	
53152412	53152412	1	COPERCHIO SCAT.CAMBIO DIFF.*V*	
55102678	55102678	1	RUBBER RING	
55220363	55220363	1	PULLEY	
56152403	56152403	1	COVER	
56156261	56156261	1	PIN	
56157606	56157606	1	STOP	
56157607	56157607	1	SPACER	
58043053	58043053	1	CYLINDRICAL PLUG	
58043117	58043117	1	COVER GASKET	
59015425	59015425	1	PLUG	
59056258	59056258	1	CLUTCH FORK	
59056259	59056259	1	CLUTCH FORK	

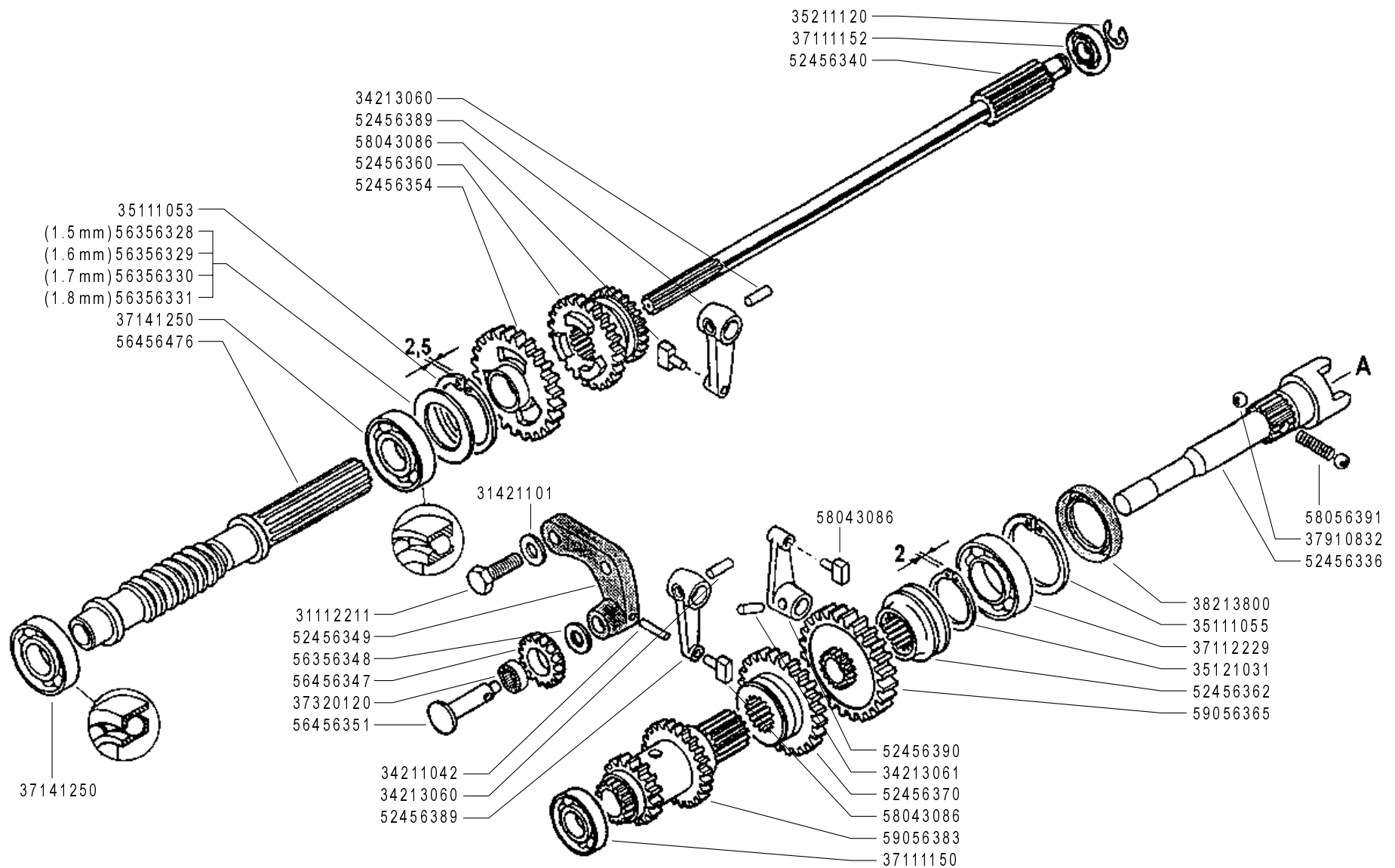
SERIAL

**GEARBOX (340)**

CODE REV

**E02\_0\_60592**





**FERRARI**

**300 TRENDY**

**INGRANAGGI CAMBIO (340)**

GEARS  
ENGRANAJES

ENGRANAGES  
ZÄHRÄDER

DALLA MACCHINA  
DE LA MAQUINA  
FROM THE MACHINE  
AB DER MASCHINE

N.

**F03** 0

10/2008

Rev.

ZENNE

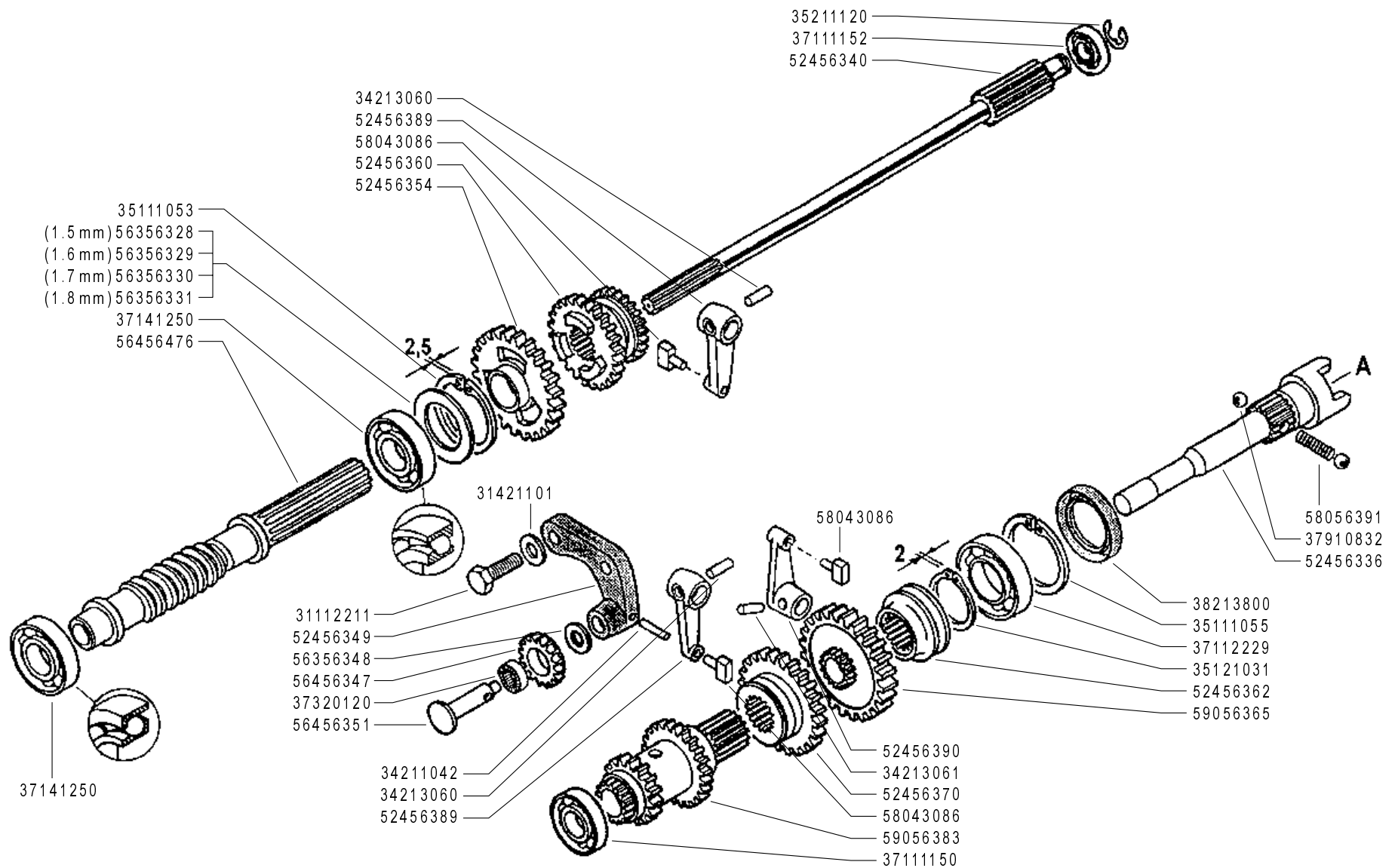
Pos.	Code	Q.ty	Description	Notes
00	35211120	1	SEEGER RING E 12 UNI 7434	
31112211	31112211	1	SCREW TE M10X30 UNI 5739	
31421101	31421101	1	WASHER	
34211042	34211042	1	ROLL PIN	
34213060	34213060	1	ROLL PIN	
34213061	34213061	1	ROLL PIN	
35111053	35111053	1	SEEGER RING I 52 UNI 7438	
35111055	35111055	1	SEEGER RING I 55 DIN 472	
35121031	35121031	1	SEEGER RING E 30 UNI 7436	
37111150	37111150	1	BEARING	
37111152	37111152	1	BEARING	
37112229	37112229	1	BEARING	
37141250	37141250	1	BEARING	
37320120	37320120	1	ROLLER CAGE 12X15/10	
37910832	37910832	1	BALL 1/4	
38213800	38213800	1	OIL SEAL 38X55X7	
52456336	52456336	1	PTO SHAFT	
52456340	52456340	1	SHAFT	
52456349	52456349	1	GEAR SUPPORT	
52456354	52456354	1	GEAR	
52456360	52456360	1	SLIDER	
52456362	52456362	1	COUPLING	
52456370	52456370	1	SLIDER	
52456389	52456389	1	LEVER	
52456390	52456390	1	LEVER	
56356328	56356328	1	ADJUSTING RING SP=1,5	
56356329	56356329	1	ADJUSTING RING SP=1,6	
56356330	56356330	1	ADJUSTING RING SP=1,7	
56356331	56356331	1	ADJUSTING RING SP=1,8	
56356348	56356348	1	ADJUSTING RING	
56456347	56456347	1	GEAR	
56456351	56456351	1	GEAR PIN	
56456476	56456476	1	SCREW	
58043086	58043086	1	SHOE	

SERIAL

**GEARS (340)**

CODE REV

**F03\_0\_60629**



**FERRARI**

**300 TRENDY**

**INGRANAGGI CAMBIO (340)**

GEARS  
ENGRANAJES

ENGRANAGES  
ZÄHRÄDER

DALLA MACCHINA  
DE LA MAQUINA  
FROM THE MACHINE  
AB DER MASCHINE

N.

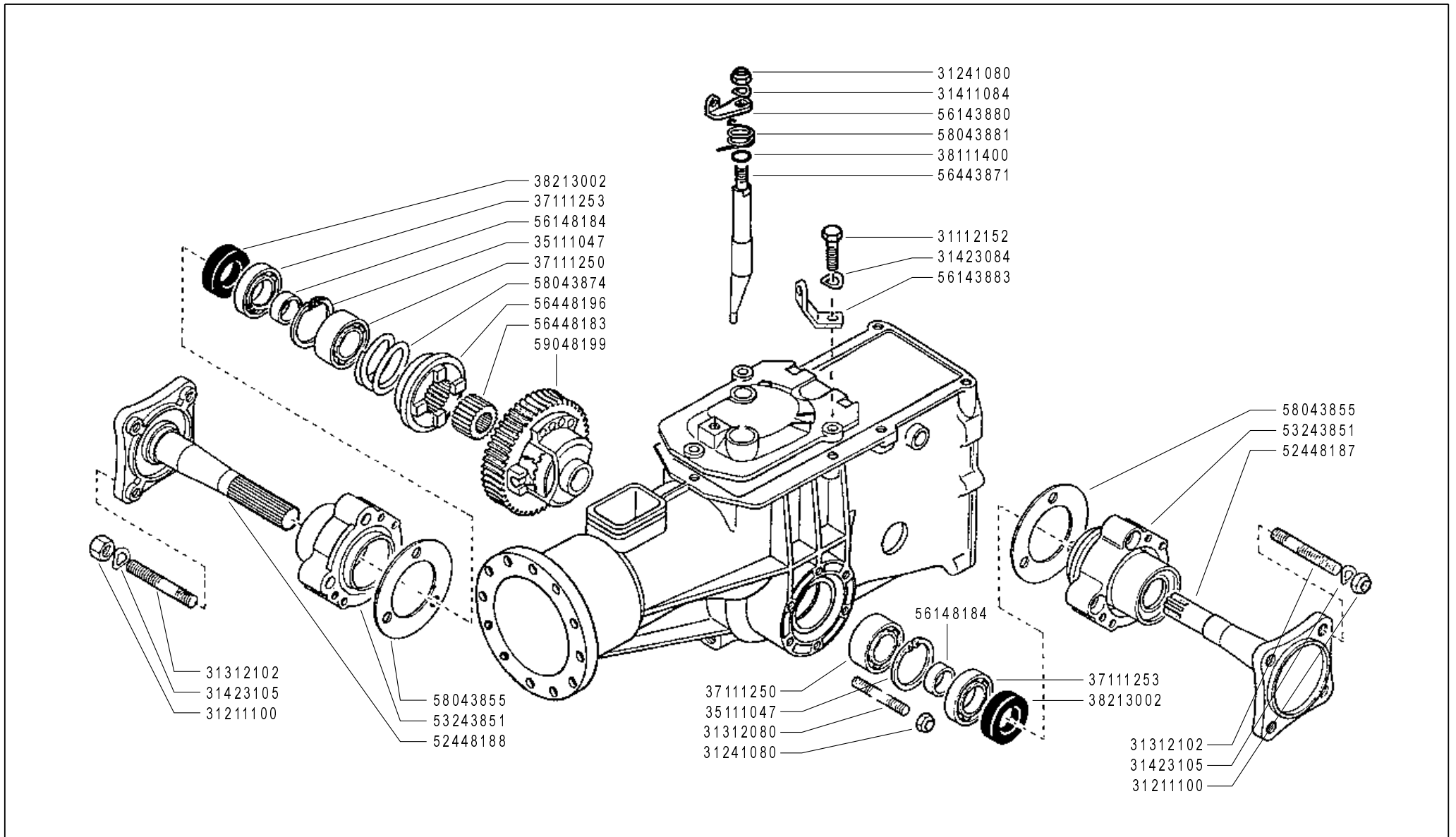
**F03** 0

10/2008

Rev.

ZENNE

Pos.	Code	Q.ty	Description	Notes
58056391	58056391	1	SPRING	
59056365	59056365	1	PTO GEAR	
59056383	59056383	1	TRIPLE GEAR	



**FERRARI**

**300 TRENDY**

**DIFFERENZIALE (340)**

DIFFERENTIAL  
DIFFERENCIAL

DIFFERENTIEL  
DIFFERENTIAL

DALLA MACCHINA  
FROM THE MACHINE  
DE LA MACHINE  
DE LA MAQUINA  
AB DER MASCHINE

N.

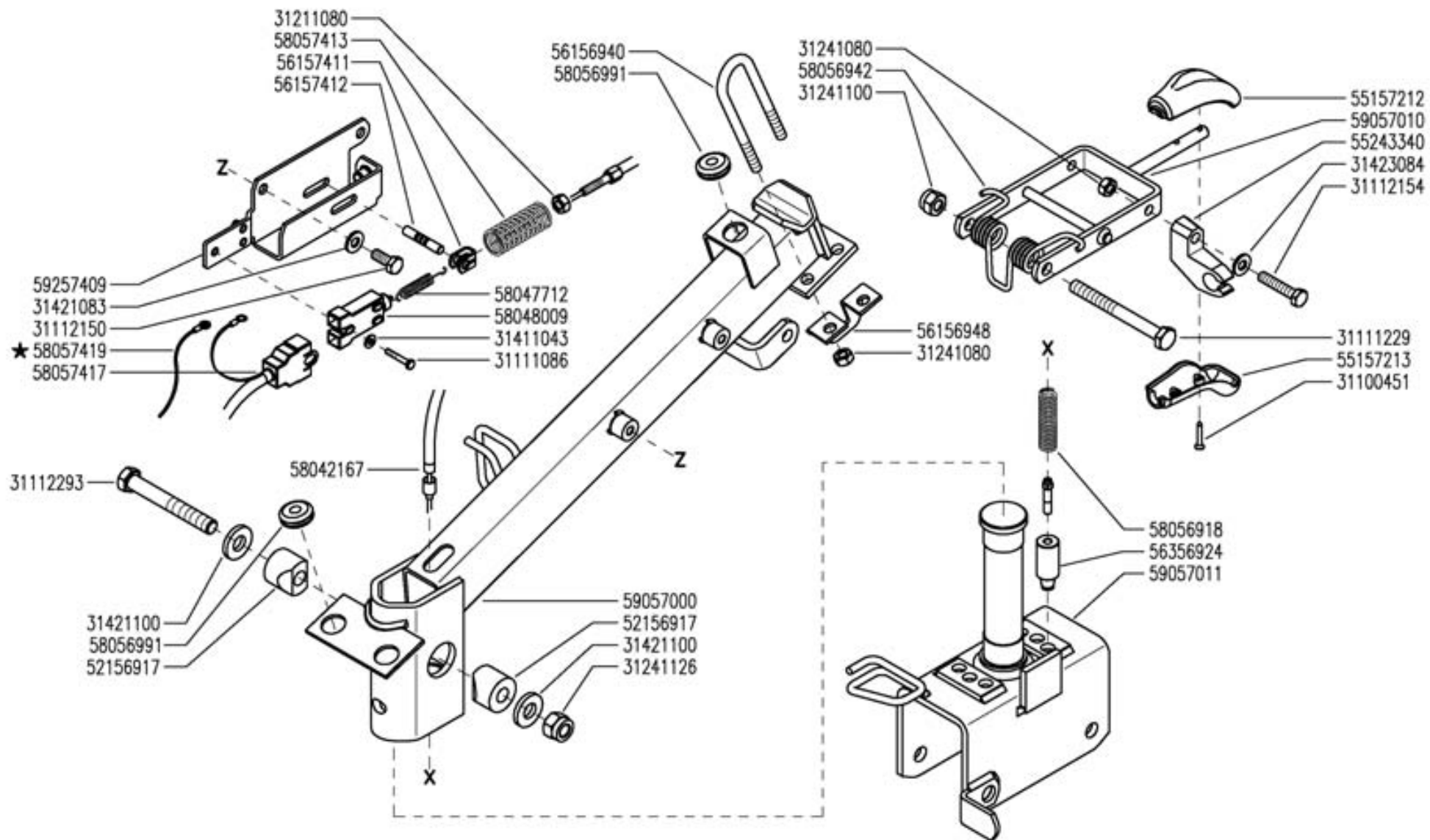
**G03** 0

10/2008

Rev.

ZENNE

Pos.	Code	Q.ty	Description	Notes
31112152	31112152	1	SCREW TE M8X30 UNI 5739 8G	
31211100	31211100	1	NUT M10	
31241080	31241080	1	SELFLOCK NUT M8	
31312080	31312080	1	STUD BOLT M8X46X20X12	
31312102	31312102	1	STUD BOLT M10X40X24X12	
31411084	31411084	1	WASHER 8,4x17	
31423084	31423084	1	SPRING WASHER 8,4	
31423105	31423105	1	SPRING WASHER 10,5	
35111047	35111047	1	SEEGER RING I 47 DIN 472	
37111250	37111250	1	BEARING	
37111253	37111253	1	BEARING	
38111400	38111400	1	O-RING 2056 (14,00X1,78)	
38213002	38213002	1	OIL SEAL 30X40X7	
52448187	52448187	1	AXLE SHAFT	
52448188	52448188	1	AXLE SHAFT	
53243851	53243851	1	HUB	
56143880	56143880	1	SMALL LEVER	
56143883	56143883	1	STOP	
56148184	56148184	1	RING	
56443871	56443871	1	ROD	
56448183	56448183	1	SPACER	
56448196	56448196	1	COUPLING	
58043855	58043855	1	GASKET	
58043874	58043874	1	SPRING	
58043881	58043881	1	SPRING	
59048199	59048199	1	DIFFERENTIAL GEAR	



FERRARI

300 TRENDY

PIANTONE (340)

STEERING COLUMN  
COLUMNNA

PLANTON  
LENKSÄULE

DALLA MACCHINA  
DE LA MAQUINA  
DE LA MACHINE  
FROM THE MACHINE  
AB DER MASCHINE

N.

H03 0

10/2008

Rev.

2FNNF

Pos.	Code	Q.ty	Description	Notes
31100451	31100451	1	SCREW 3,5X25	
31111086	31111086	1	SCREW TE M4X25 UNI 5739 8G	
31111229	31111229	1	SCREW TE M10X110 UNI 5737 8G	
31112150	31112150	1	SCREW TE M8X20 UNI 5739 8G	
31112154	31112154	1	SCREW TE M8X40 UNI 5739 8G	
31112293	31112293	1	SCREW TE M12X80 UNI 5737	
31211080	31211080	1	NUT M8	
31241080	31241080	1	SELFLOCK NUT M8	
31241100	31241100	1	SELFLOCK NUT M10 6S	
31241126	31241126	1	SELFLOCK NUT M12	
31411043	31411043	1	WASHER 4,3X9	
31421083	31421083	1	WASHER	
31421100	31421100	1	CUP SPRING	
31423084	31423084	1	SPRING WASHER 8,4	
52156917	52156917	1	WEDGE	
55157212	55157212	1	GRIP	
55157213	55157213	1	GRIP	
55243340	55243340	1	SUPPORT	
56156940	56156940	1	U BOLT	
56156948	56156948	1	STOP	
56157411	56157411	1	FORK	
56157412	56157412	1	PIN	
56356924	56356924	1	FERRULE	
58042167	58042167	1	SHEATH TERMINAL	
58047712	58047712	1	SPRING	
58048009	58048009	1	SWITCH	
58056918	58056918	1	SPRING	
58056942	58056942	1	SPRING	
58056991	58056991	1	CABLE GLAND	
58057413	58057413	1	RETAINING SPRING	
58057417	58057417	1	WIRING	
58057419	58057419	1	WIRING	
59057000	59057000	1	COLUMN	
59057010	59057010	1	LEVER	

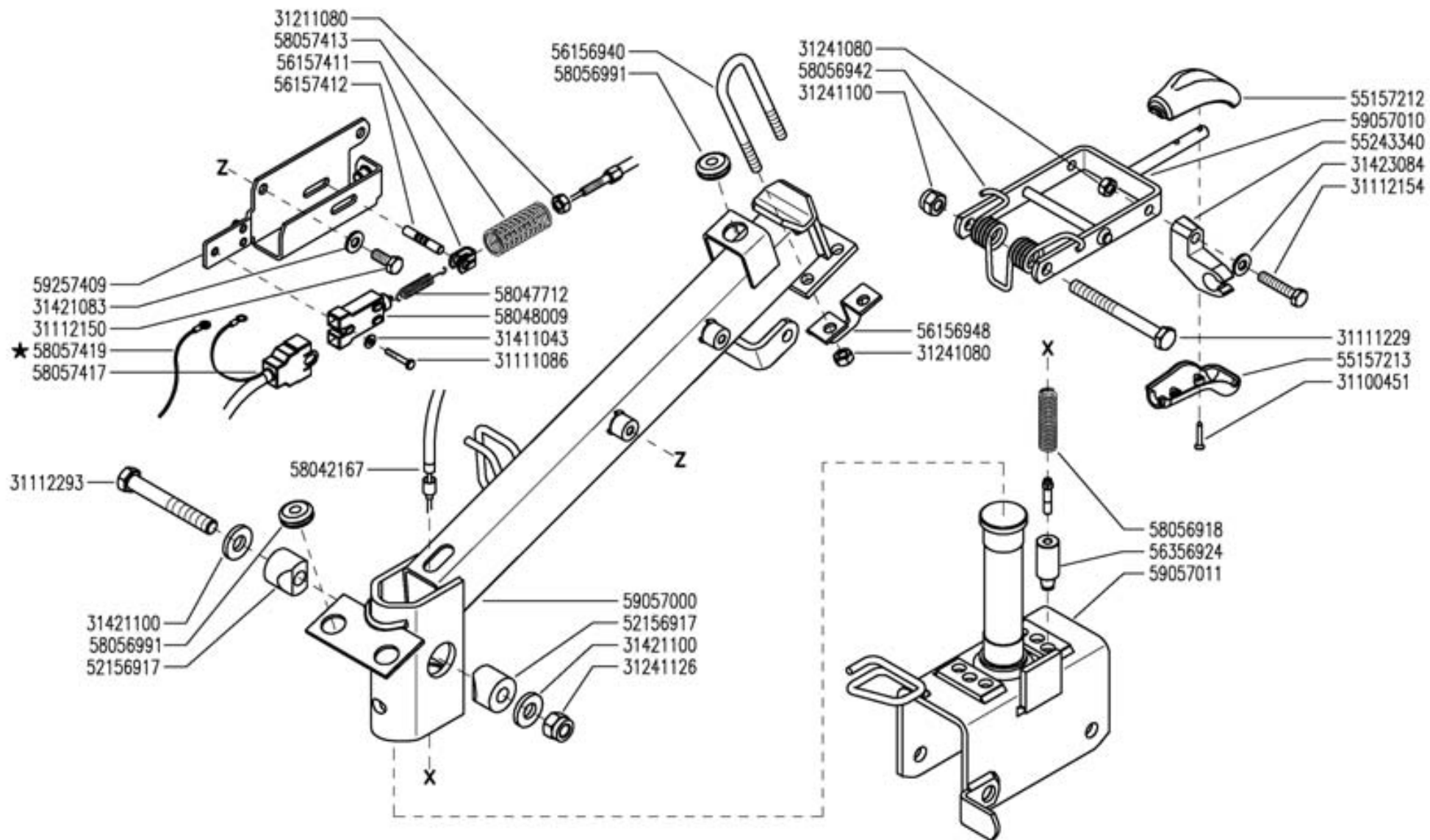
SERIAL

**STEERING COLUMN (340)**

CODE REV

**H03\_0\_60737**





FERRARI

300 TRENDY

PIANTONE (340)

STEERING COLUMN  
COLUMNA

PLANTON  
LENKSÄULE

DALLA MACCHINA  
DE LA MAQUINA  
DE LA MACHINE  
FROM THE MACHINE  
AB DER MASCHINE

N.

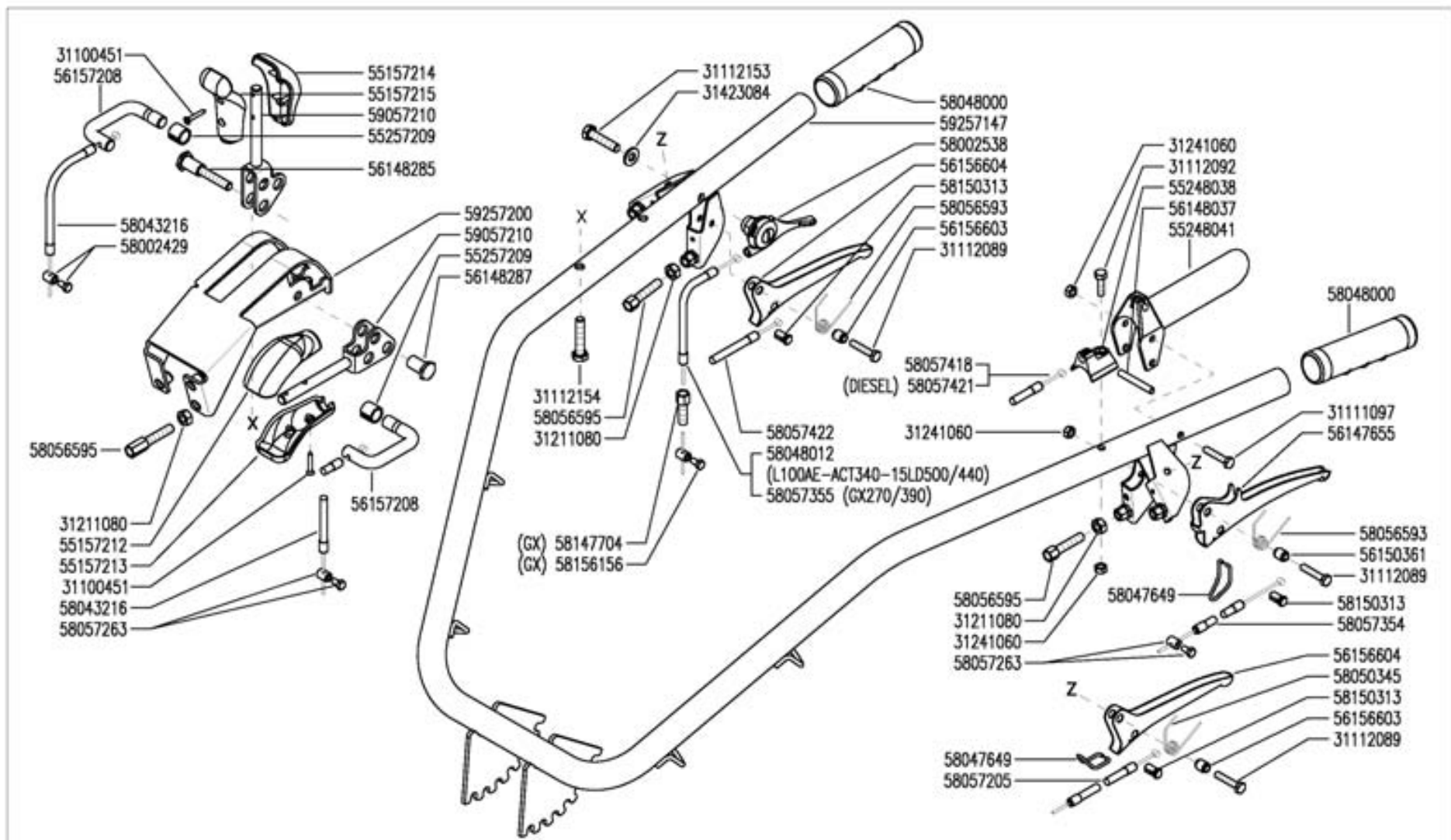
H03 0


10/2008

Rev.

2FNNF

<b>Pos.</b>	<b>Code</b>	<b>Q.ty</b>	<b>Description</b>	<b>Notes</b>
59057011	59057011	1	CONNECTION	
59257409	59257409	1	SUPPORT	



	<h1>300 TRENDY</h1>	<b>MANUBRIO (340)</b> HANDLEBAR MANILLAR	MANCHERON LENKER	DALLA MACCHINA DE LA MAQUINA DE LA MACHINE FROM THE MACHINE AB DER MASCHINE	N.	I03 10/2008	Rev.
							0

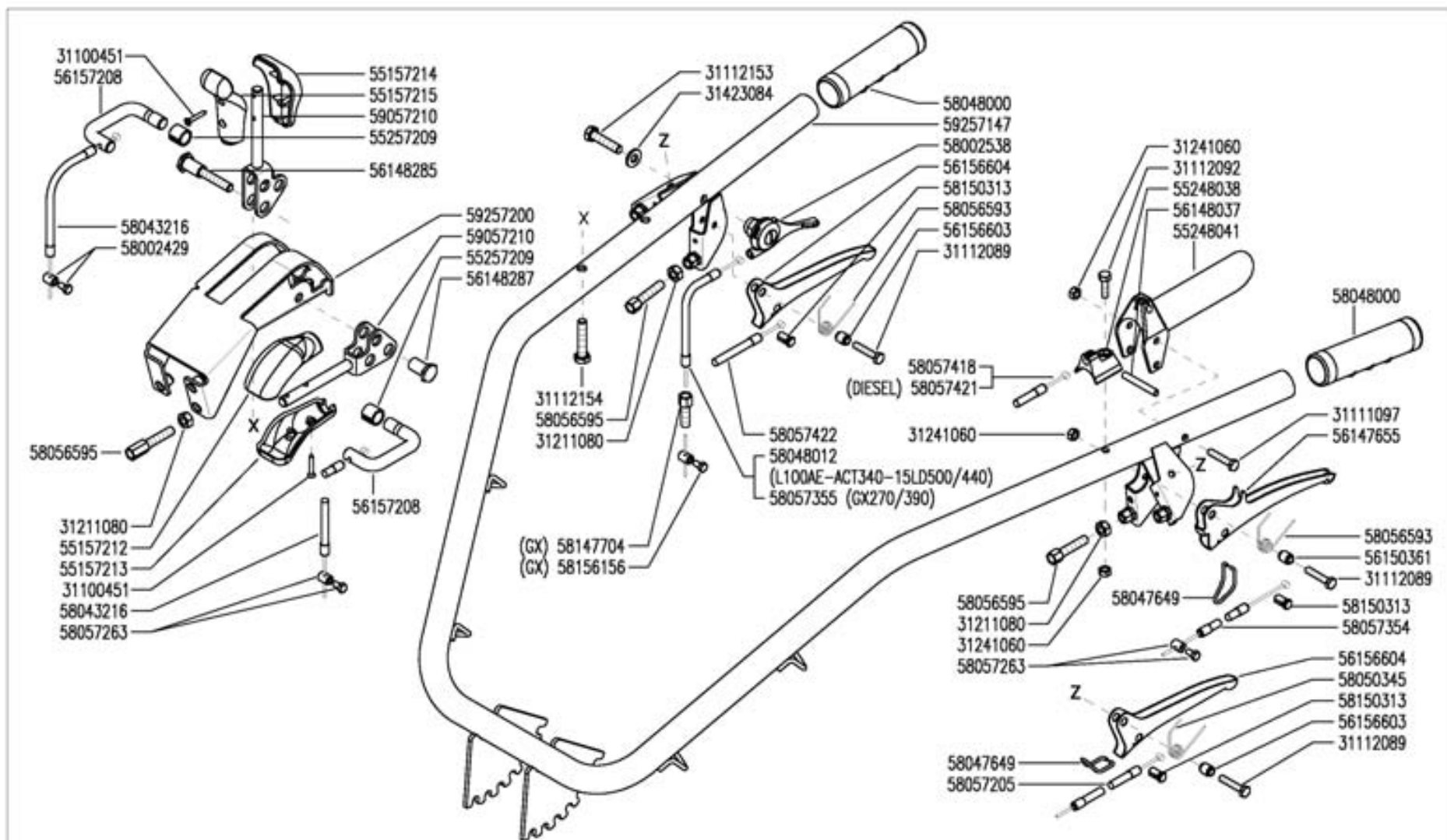
Pos.	Code	Q.ty	Description	Notes
31100451	31100451	1	SCREW 3,5X25	
31111097	31111097	1	SCREW TE M6X45 UNI 5737 8G	
31112089	31112089	1	SCREW TE M6X25 UNI 5739 8G	
31112092	31112092	1	SCREW TE M6X35 UNI 5739 8G	
31112153	31112153	1	SCREW TE M8X35 UNI 5739 8G	
31112154	31112154	1	SCREW TE M8X40 UNI 5739 8G	
31211080	31211080	1	NUT M8	
31241060	31241060	1	SELFLOCK NUT M6	
31423084	31423084	1	SPRING WASHER 8,4	
55157212	55157212	1	GRIP	
55157213	55157213	1	GRIP	
55157214	55157214	1	GRIP	
55157215	55157215	1	GRIP	
55248038	55248038	1	STOP	
55248041	55248041	1	LEVER	
55257209	55257209	1	BUSHING	
56147655	56147655	1	CLUTCH LEVER	
56148037	56148037	1	LEVER STOP	
56148285	56148285	1	PIN	
56148287	56148287	1	STUD BOLT	
56150361	56150361	1	SPACER	
56156603	56156603	1	SPACER	
56156604	56156604	1	CLUTCH LEVER	
56157208	56157208	1	U BOLT	
58002429	58002429	1	CLAMPING SCREW	
58002538	58002538	1	COMMAND LEVER	
58043216	58043216	1	LINE AND SHEATH	
58047649	58047649	1	CLEVIS	
58048000	58048000	1	KNOB	
58048012	58048012	1	LINE AND SHEATH	
58050345	58050345	1	SPRING	
58056593	58056593	1	SPRING	
58056595	58056595	1	ADJUSTING SCREW	
58057205	58057205	1	LINE AND SHEATH	

SERIAL

**HANDLEBAR (340)**

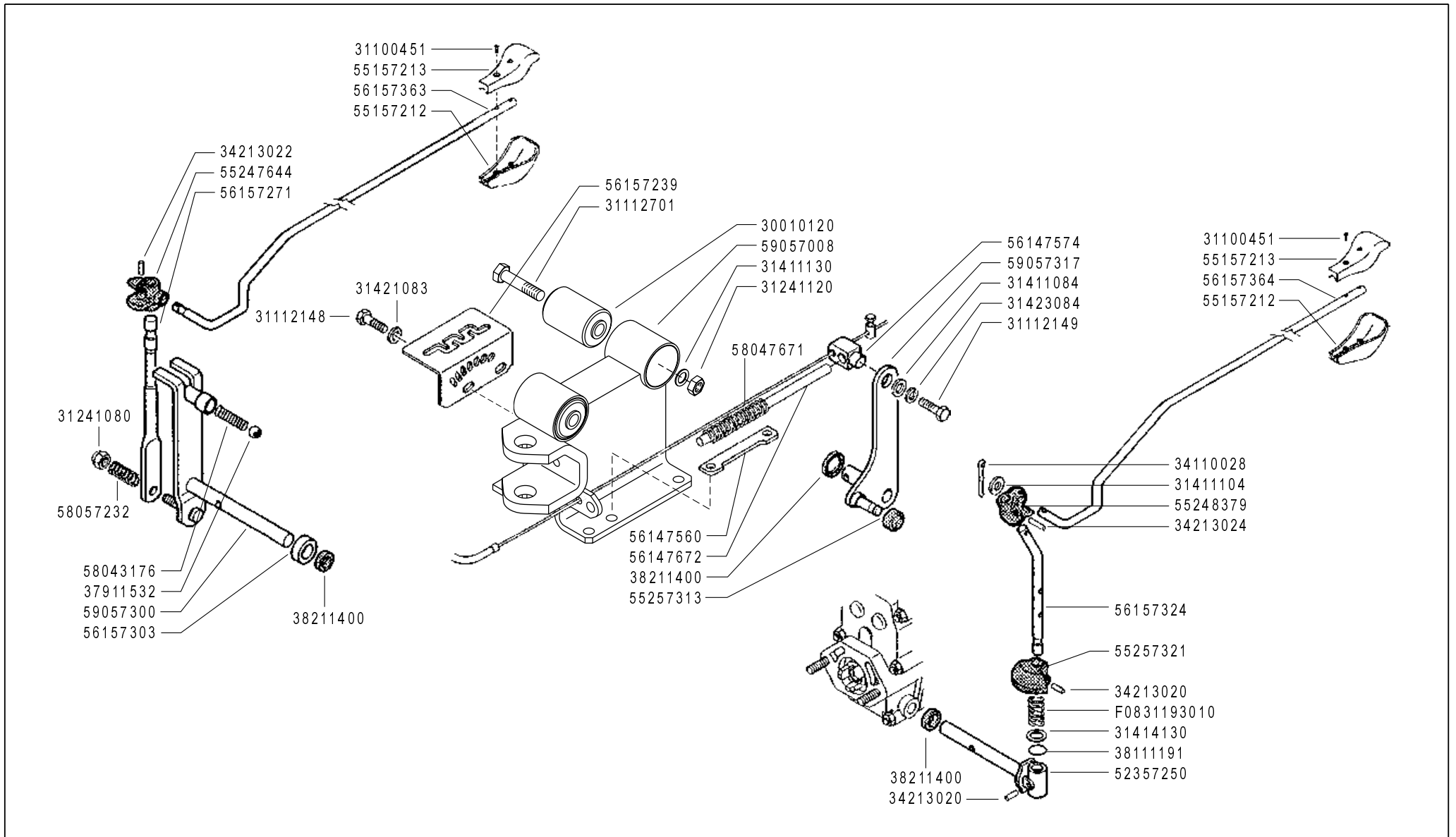
CODE REV

**I03\_0\_60817**



	<b>300 TRENDY</b>	HANDLEBAR MANILLAR	<b>MANUBRIO (340)</b> MANCHERON LENKER	DALLA MACCHINA DE LA MAQUINA DE LA MACHINE FROM THE MACHINE AB DER MASCHINE	N.	I03 10/2008	Rev. 0

Pos.	Code	Q.ty	Description	Notes
58057263	58057263	1	CLAMPING SCREW	
58057354	58057354	1	LINE AND SHEATH	
58057355	58057355	1	LINE AND SHEATH	
58057418	58057418	1	LINE AND SHEATH	
58057421	58057421	1	LINE AND SHEATH	
58057422	58057422	1	TRASM.SBLOCC.PIANTONE MC740/08	
58147704	58147704	1	ADJUSTING SCREW	
58150313	58150313	1	CABLE CLAMP	
58156156	58156156	1	TERMINAL	
59057210	59057210	1	COMMAND LEVER	
59257147	59257147	1	HANDLE BAR	
59257200	59257200	1	SUPPORT	



**FERRARI**

**300 TRENDY**

CONTROLS  
MANDOS

COMANDI (340)

COMMANDES  
ANTRIEBE

DALLA MACCHINA  
DE LA MAQUINA  
FROM THE MACHINE  
AB DER MASCHINE

N.

**J03** 0

10/2008

Rev.

ZENNE

Pos.	Code	Q.ty	Description	Notes
30010120	30010120	1	SILENT-BLOCK 12X40X58X66	
31100451	31100451	1	SCREW 3,5X25	
31112148	31112148	1	SCREW TE M8X18 UNI 5739 8G	
31112149	31112149	1	SCREW TE M8X12 UNI 5739 8G	
31112701	31112701	1	SCREW TE M12X100 UNI 5737	
31241080	31241080	1	SELFLOCK NUT M8	
31241120	31241120	1	SELFLOCK NUT M12	
31411084	31411084	1	WASHER 8,4x17	
31411104	31411104	1	WASHER 10,5x18	
31411130	31411130	1	WASHER 13x24	
31414130	31414130	1	WASHER 13	
31421083	31421083	1	WASHER	
31423084	31423084	1	SPRING WASHER 8,4	
34110028	34110028	1	SPLIT PIN	
34213020	34213020	1	ROLL PIN	
34213022	34213022	1	ROLL PIN	
34213024	34213024	1	ROLL PIN	
37911532	37911532	1	BALL 15/32	
38111191	38111191	1	O-RING 115 (11,91X2,62)	
38211400	38211400	1	OIL SEAL 14X22X4	
52357250	52357250	1	PIN	
55157212	55157212	1	GRIP	
55157213	55157213	1	GRIP	
55247644	55247644	1	JOINT	
55248379	55248379	1	JOINT	
55257313	55257313	1	ROLLER	
55257321	55257321	1	STOP	
56147560	56147560	1	STOP	
56147574	56147574	1	SMALL BLOCK	
56147672	56147672	1	GUIDE PIN	
56157239	56157239	1	GEAR SELECTOR	
56157271	56157271	1	COMMAND LEVER	
56157303	56157303	1	SPACER	
56157324	56157324	1	PTO LEVER	

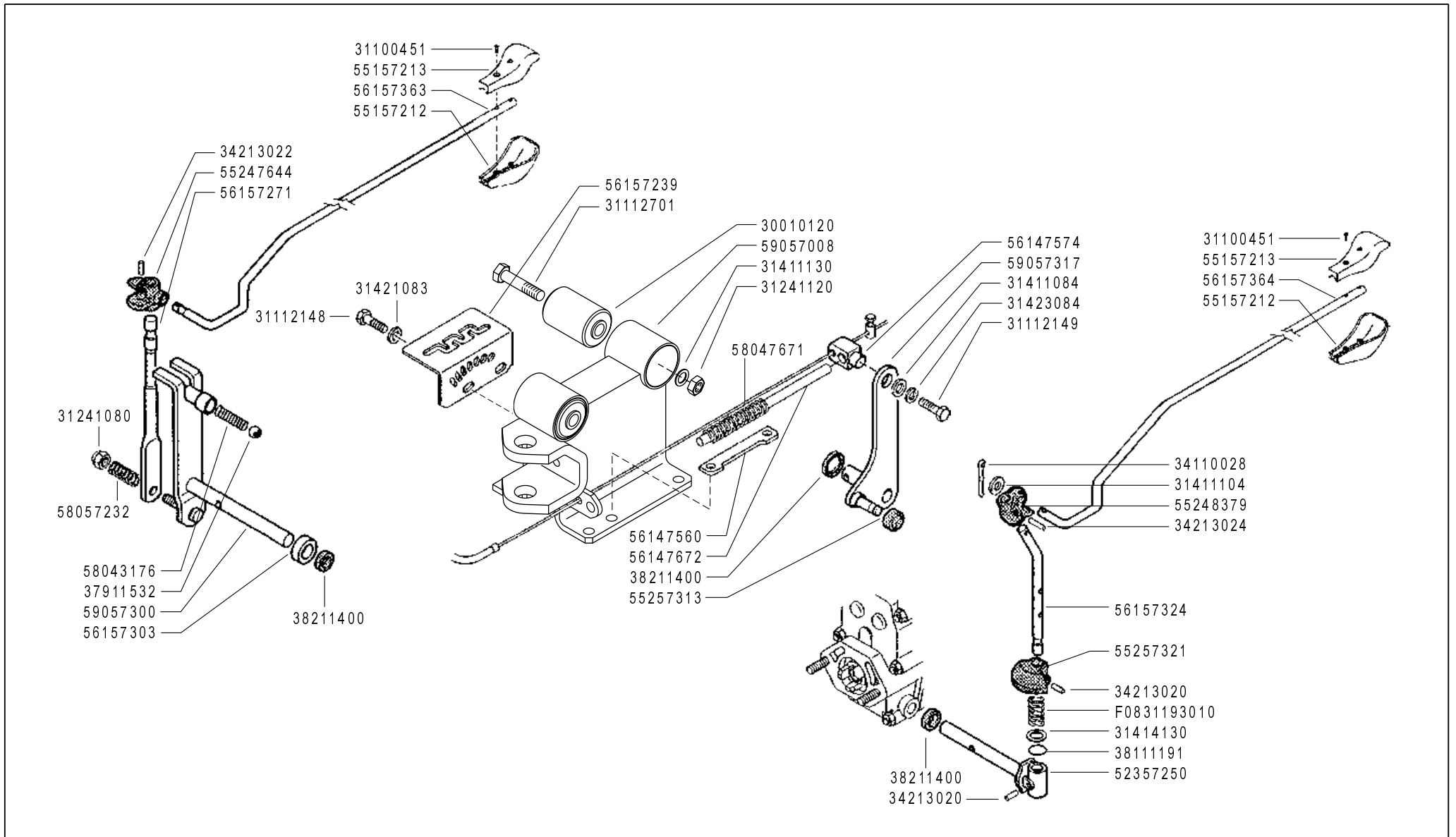
SERIAL

**CONTROLS (340)**

CODE REV

**J03\_0\_60869**





**FERRARI**

**300 TRENDY**

CONTROLS  
MANDOS

COMANDI (340)

COMMANDES  
ANTRIEBE

DALLA MACCHINA  
DE LA MAQUINA  
FROM THE MACHINE  
AB DER MASCHINE

N.

**J03** 0

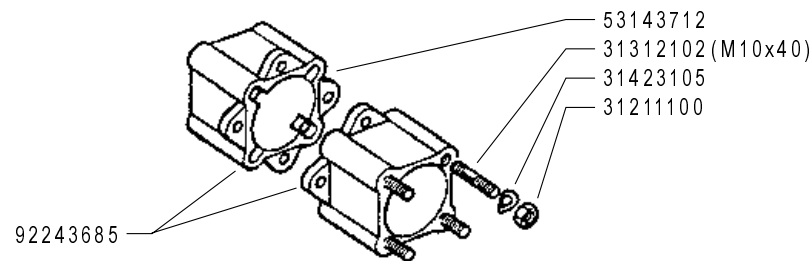
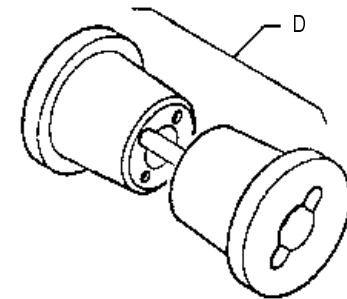
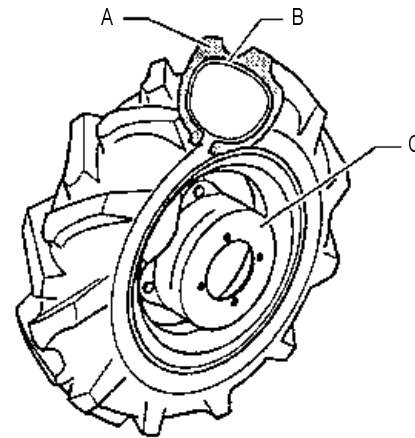
10/2008

Rev.

ZENNE

Pos.	Code	Q.ty	Description	Notes
56157363	56157363	1	PULL ROD	
56157364	56157364	1	PULL ROD	
58043176	58043176	1	SPRING	
58047671	58047671	1	SPRING	
58057232	58057232	1	SPRING	
59057008	59057008	1	SUPPORT	
59057300	59057300	1	GEAR LEVER	
59057317	59057317	1	LEVER	
F0831193	F0831193010	1	SPRING DM.15X70	

	A	B	C	D
	39113502	39413502	58052326	92243686 (Kg.10)
	39114008	39414008	58052326	92243686 (Kg.10)
★	39114010	39414010	58052288 (FIX)	/
	39114010	39414010	58052327	92248715 (Kg.15)
★	39115010	39415010	58052288 (FIX)	/
	39115010	39415010	58052327	92248715 (Kg.15)
	39115012	39415012	58052328	92248720 (Kg.34)
★	39116018	39416018	58052328	92480721 (Kg.34)



**FERRARI**

**300 TRENDY**

WHEELS  
RUEDAS

RUOTE

ROUES  
RÄDER

DALLA MACCHINA  
FROM THE MACHINE  
DE LA MACHINE  
DE LA MAQUINA  
AB DER MASCHINE

AGGIORNAMENTO

REVISION

MISE A JOUR

APLAZAMIENTO

ANPASSUNG

★ N.

**K01**

Rev.

1

10/2008

ZENNE

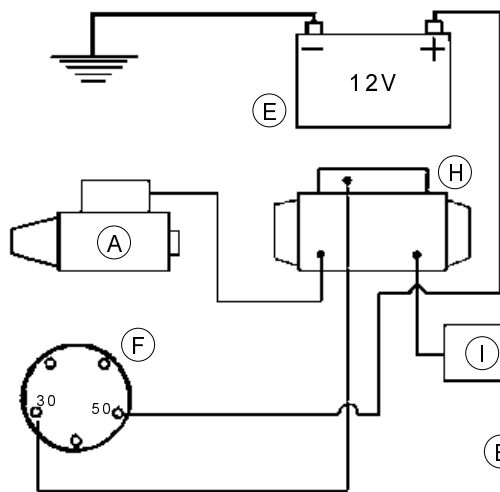
Pos.	Code	Q.ty	Description	Notes
31211100	31211100	1	NUT M10	
31312102	31312102	1	STUD BOLT M10X40X24X12	
31423105	31423105	1	SPRING WASHER 10,5	
39113502	39113502	1	TYRE 3.50-8 2PR	
39114008	39114008	1	TYRE 4.00-8 2PR	
39114010	39114010	1	TYRE 4.0-10 2PR	
39115010	39115010	1	TYRE 5.00-10 2PR	
39115012	39115012	1	TYRE 5.00-12 2PR	
39116018	39116018	1	TYRE 6.5/80-12 2PR	
39413502	39413502	1	INNER TUBE	
39414008	39414008	1	INNER TUBE	
39414010	39414010	1	INNER TUBE	
39415010	39415010	1	INNER TUBE	
39415012	39415012	1	INNER TUBE	
39416018	39416018	1	INNER TUBE	
53143712	53143712	1	SPACER	
58052288	58052288	1	RIM	
58052326	58052326	1	RIM	
58052327	58052327	1	RIM	
58052328	58052328	1	RIM	
92243685	92243685	1	PAIR WHEEL SPACERS 6 CM	
92243686	92243686	1	PAIR OF WEIGHTS FOR 8 WHEELS 11 KGS	
92248715	92248715	1	PAIR OF WEIGHTS FOR 10 WHEELS 15 KGS	
92248720	92248720	1	PAIR OF WEIGHTS FOR 12 AND 15 WHEELS - 34 KGS	
92480721	92480721	1	WEIGHTS KG. 34 FOR WHEELS 5.00-12 / 6.5/80-12 (PAIR) (0901012307)	

SERIAL

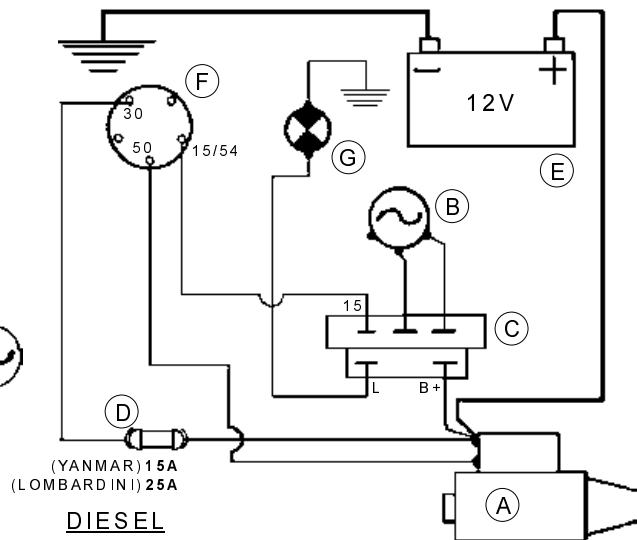
**WHEELS**

CODE REV

**K01\_1\_60913**

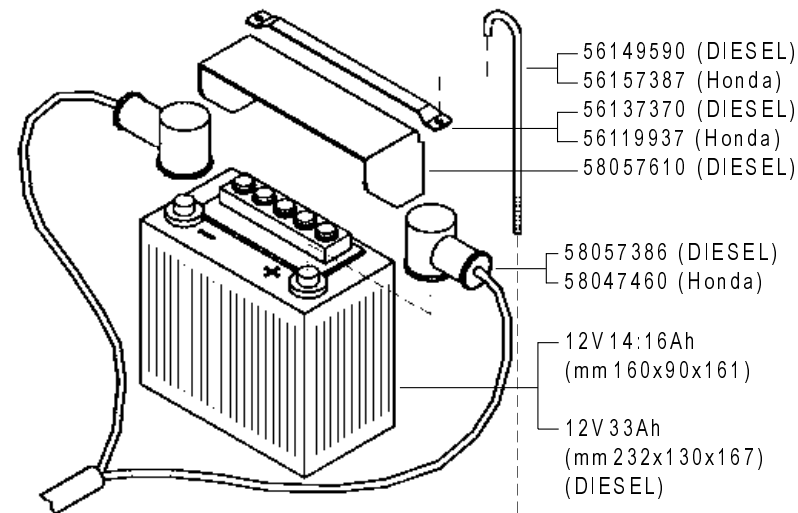


HONDA



(YANMAR) 15A  
(LOMBARDINI) 25A

DIESEL

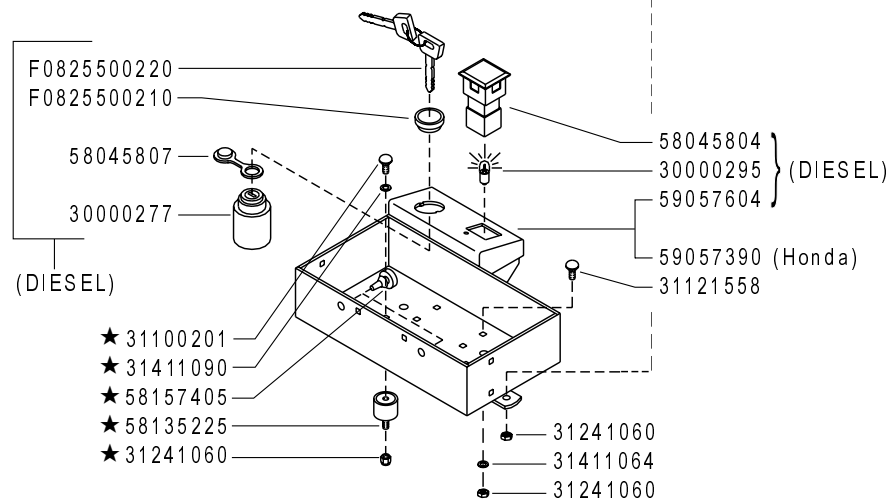


- 56149590 (DIESEL)
- 56157387 (Honda)
- 56137370 (DIESEL)
- 56119937 (Honda)
- 58057610 (DIESEL)
- 58057386 (DIESEL)
- 58047460 (Honda)
- 12V 14:16Ah  
(mm 160x90x161)
- 12V 33Ah  
(mm 232x130x167)  
(DIESEL)

A	B	C	D
MOTORINO D'AVVIAMENTO STARTER DÉMARREUR MOT. DE ARRANQUE ANLASSMOTOR	GENERATORE GENERATOR GÉNÉRATEUR GENERADOR GENERATOR	REGOLATORE REGULATOR RÉGULATEUR REGULADOR REGLER	FUSIBILI FUSES FUSIBLES FUSIBLES SCHMELZSICHERUNGEN

E	F	G	H	I
BATTERIA BATTERY BATERIE BATERIA BATERIE	INTERRUTTORE SWITCH INTERRUPTEUR INTERRUPTOR SCHALTER	SPIA CARICA BATTERIA BATTERY LONG WARN. LIGHT TEMOIN CHARG. BATTERIE LUZ CARGA BATERIA BATTERIELADUNG KTRL. LAMPE	SOLENOIDE SOLENOID SOLÉNOÏDE SOLENOIDE SOLENOID	DIODO DIODE DIODE DIODE DIODE

(1) sostituisce 30000276



- F0825500220
- F0825500210
- 58045807
- 30000277
- (DIESEL)
- 58045804
- 30000295
- 59057604
- 59057390 (Honda)
- 31121558
- ★ 31100201
- ★ 31411090
- ★ 58157405
- ★ 58135225
- ★ 31241060
- 31241060
- 31411064
- 31241060

**FERRARI**

**300 TRENDY**

AVVIAMENTO ELETTRICO (320 - 330 - 340 ★)

ELECTRIC STARTER  
ARRANQUE ELECTRICO

DÉMARRAGE ÉLECTRIQUE  
ELEKTROSTART

DALLA MACCHINA  
FROM THE MACHINE  
DE LA MACHINE  
DE LA MAQUINA  
AB DER MASCHINE

★ N.

(320) 823723

(330) 823957

**L01** 2

10/2008

Rev.

ZENNE

Pos.	Code	Q.ty	Description	Notes
30000277	30000277	1	SWITCH	
30000295	30000295	1	LAMP	
31100201	31100201	1	SCREW TTQ M6X12 UNI 5731	
31121558	31121558	1	SCREW TTQ M6X16 UNI 5731	
31241060	31241060	1	SELFLOCK NUT M6	
31411064	31411064	1	WASHER 6,4x12,5	
31411090	31411090	1	WASHER 9x24	
56119937	56119937	1	BATTERY SUPPORT	
56137370	56137370	1	BATTERY BRACKET	
56149590	56149590	1	BATTERY BRACKET	
56157387	56157387	1	ROD	
58045804	58045804	1	WARNING LIGHT	
58045807	58045807	1	LOCK COVER	
58047460	58047460	1	WIRING	
58057386	58057386	1	WIRING	
58057610	58057610	1	BOX	
58135225	58135225	1	VIBRATION-DAMPING	
58157405	58157405	1	PLUG	
59057390	59057390	1	BOX	
59057604	59057604	1	BOX	
F0825500	F0825500210	1	RING NUT	
F0825500	F0825500220	1	KEY	

SERIAL

**ELECTRIC STARTER**

Version: 320 trendy, 330 trendy

CODE REV

**L01\_2\_60940**



58057767



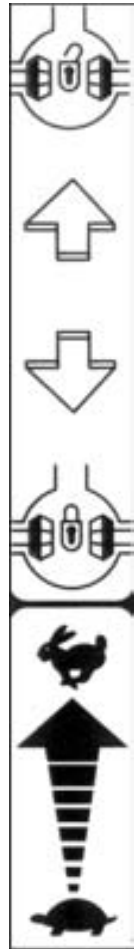
58057768



58057724



58057770



58057688



58057746 ★



58057450 ★



58057625 ★



58057451 ★



58057748 ★



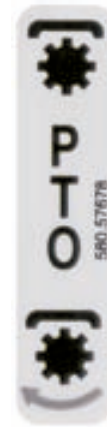
58093089 ★



58057704 ★



58057676



58057678



58057677



58046912



58057772

FERRARI

300 TRENDY

STICKERS  
ADHESIVOS

ADESIVE

AUTOCOLLANTS  
AUFKLEBES

DALLA MACCHINA  
FROM THE MACHINE  
DE LA MACHINE  
DE LA MAQUINA  
AB DER MASCHINE

★ N.

AGGIORNAMENTO  
REVISION  
MISE A JOUR  
APLAZAMIENTO  
ANPASSUNG

M01 1

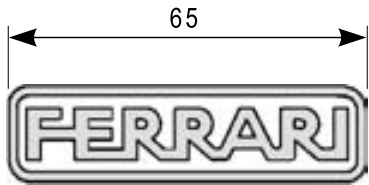
10/2008

Rev.

ZENNE

Pos.	Code	Q.ty	Description	Notes
58046912	58046912	1	DECAL	
58057450	58057450	1	DECAL	
58057451	58057451	1	DECAL	
58057625	58057625	1	DECAL	
58057676	58057676	1	DECAL	
58057677	58057677	1	DECAL	
58057678	58057678	1	DECAL	
58057688	58057688	1	DECAL	
58057704	58057704	1	DECAL	
58057724	58057724	1	DECAL	
58057746	58057746	1	DECAL	
58057748	58057748	1	DECAL	
58057767	58057767	1	DECAL	
58057768	58057768	1	DECAL	
58057770	58057770	1	DECAL	
58057772	58057772	1	DECAL	
58093089	58093089	1	DECAL	





58052156

**310**

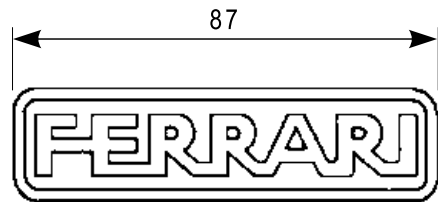
58052037

**320**

58052026

**330**

58052039



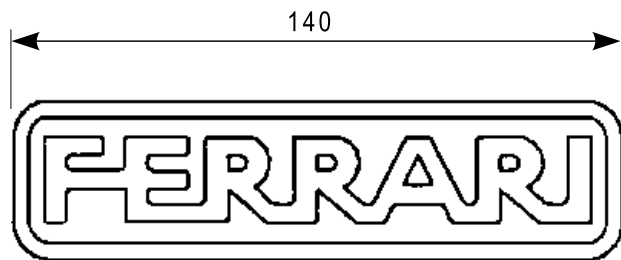
58052019

**340**

58052047 ★

**TRENDY**

58052045



58052029

**TRENDY**

58052046

**FERRARI**

**300 TRENDY**

STICKERS  
ADHESIVOS

ADESIVI

AUTOCOLLANTS  
AUFKLEBES

DALLA MACCHINA  
FROM THE MACHINE  
DE LA MACHINE  
DE LA MAQUINA  
AB DER MASCHINE

AGGIORNAMENTO

REVISION

MISE A JOUR

APLAZAMIENTO

ANPASSUNG

★ N.

**M02** 1

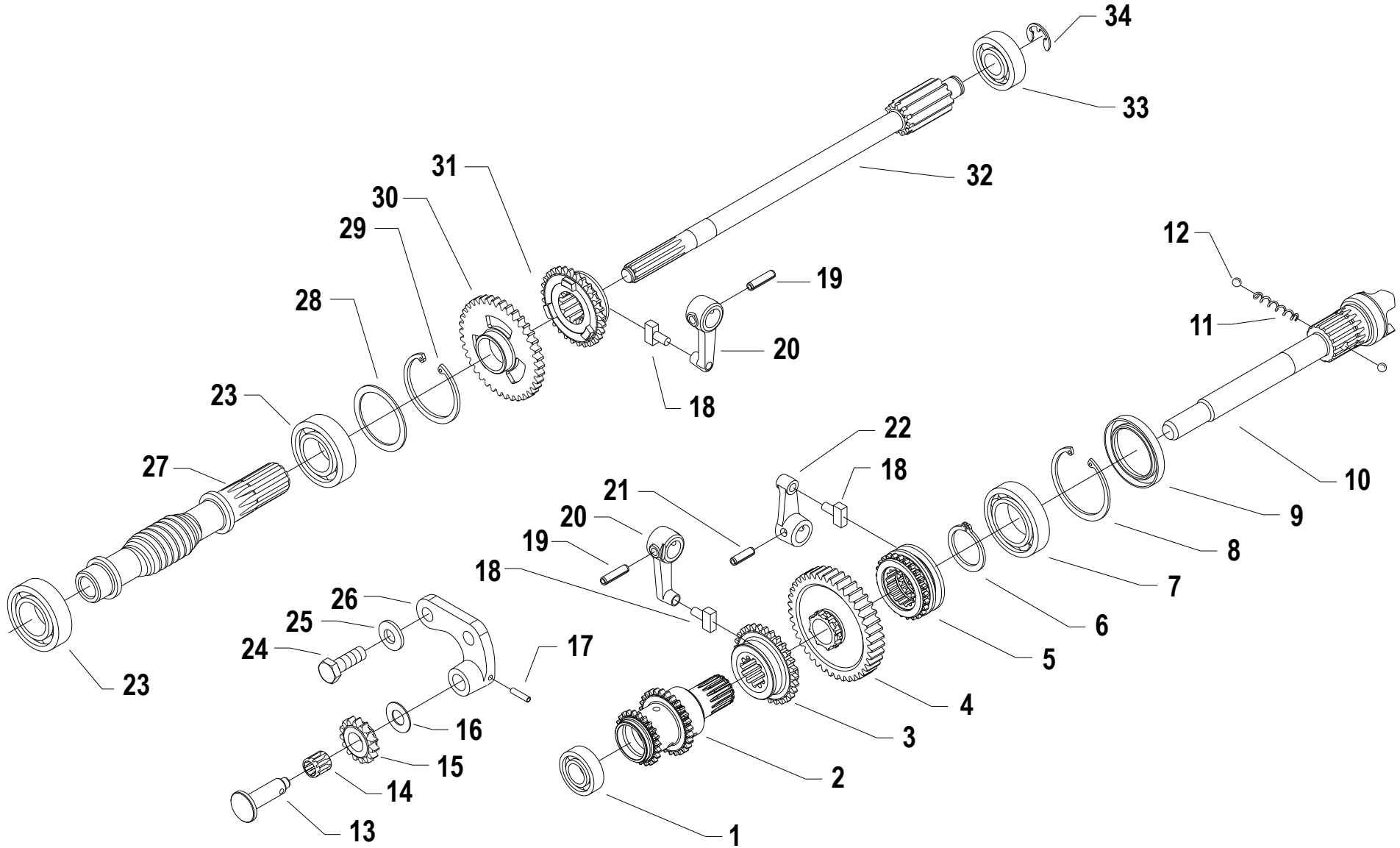
10/2008

Rev.

ZENNE

Pos.	Code	Q.ty	Description	Notes
58052019	58052019	1	DECAL	
58052026	58052026	1	DECAL	
58052029	58052029	1	DECAL	
58052037	58052037	1	DECAL	
58052039	58052039	1	DECAL	
58052045	58052045	1	DECAL	
58052046	58052046	1	DECAL	
58052047	58052047	1	DECAL	
58052156	58052156	1	DECAL	

GEARS (340)



Pos.	Code	Q.ty	Description	Notes
1	37111150		BEARING	
2	59056383		TRIPLE GEAR	
3	52456370		SLIDER	
4	59056707		PTO GEAR	Replaces 59056365 + 52456362
5	52456706		PTO COUPLING	Replaces 59056365 + 52456362
6	35121031		SEEGER RING E 30 UNI 7436	
7	37112229		BEARING	
8	35111055		SEEGER RING I 55 DIN 472	
9	38213800		OIL SEAL 38X55X7	
10	52456336		PTO SHAFT	
11	58056391		SPRING	
12	37910832		BALL 1/4	
13	56456736		PERNO INGRANAGGIO OZIOSO	Replaces 56456351
14	37320120		ROLLER CAGE 12X15/10	
15	56456347		GEAR	
16	56356348		ADJUSTING RING	
17	34211042		ROLL PIN	
18	58043086		SHOE	
19	34213060		ROLL PIN	
20	52456389		LEVER	
21	34213061		ROLL PIN	
22	52456390		LEVER	
23	37141250		BEARING	
24	31112211		SCREW TE M10X30 UNI 5739	
25	31421101		WASHER	
26	52456349		GEAR SUPPORT	
27	56456476		SCREW	
28	56356328		ADJUSTING RING SP=1,5	
28	56356329		ADJUSTING RING SP=1,6	
28	56356330		ADJUSTING RING SP=1,7	
28	56356331		ADJUSTING RING SP=1,8	
29	35111053		SEEGER RING I 52 UNI 7438	
30	52456354		GEAR	
31	52456360		SLIDER	

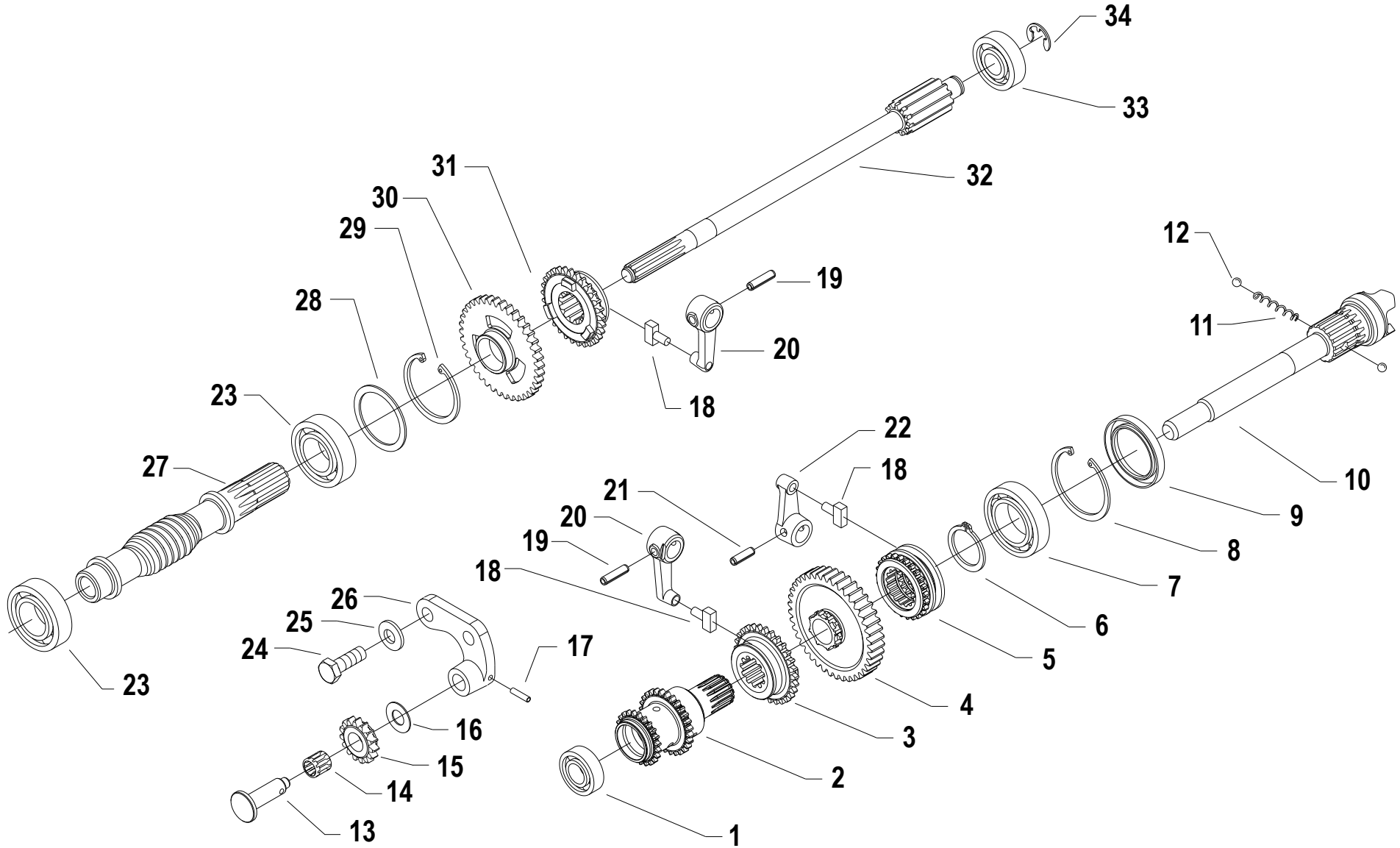
SERIAL  
START  
**863327**

**GEARS (340)**

CODE REV

**F.03.02.A0027\_01**

GEARS (340)



Pos.	Code	Q.ty	Description	Notes
32	52456340		SHAFT	
33	37111152		BEARING	
34	35211120		SEEGER RING E 12 UNI 7434	

SERIAL  
START  
**863327**

**GEARS (340)**

CODE REV  
**F.03.02.A0027\_01**

# SPARE PARTS INSTANCE INDEX





## SPARE PARTS INSTANCE INDEX

Code	Parts Table	Pos.	Q.ty	Code	Parts Table	Pos.	Q.ty	Code	Parts Table	Pos.	Q.ty
30000277	L01_2_60940	30000277	1	31211080	I03_0_60817	31211080	1	31411130	J03_0_60869	31411130	1
30000295	L01_2_60940	30000295	1	31211100	G03_0_60674	31211100	1	31414130	J03_0_60869	31414130	1
30010120	J03_0_60869	30010120	1		K01_1_60913	31211100	1	31421083	E02_0_60592	31421083	1
30040001	E02_0_60592	30040001	1	31221121	E02_0_60592	31221121	1		H03_0_60737	31421083	1
31100003	D01_2_60564	31100003	1	31241060	C01_1_60543	31241060	1		J03_0_60869	31421083	1
31100015	D01_2_60564	31100015	1		I03_0_60817	31241060	1	31421100	H03_0_60737	31421100	1
31100201	L01_2_60940	31100201	1		L01_2_60940	31241060	1	31421101	F.03.02.A0027_01	25	
31100451	H03_0_60737	31100451	1	31241080	C01_1_60543	31241080	1		F03_0_60629	31421101	1
	I03_0_60817	31100451	1		D01_2_60564	31241080	1	31421132	E02_0_60592	31421132	1
	J03_0_60869	31100451	1		E02_0_60592	31241080	1	31422064	E02_0_60592	31422064	1
31111086	H03_0_60737	31111086	1		G03_0_60674	31241080	1	31423084	D01_2_60564	31423084	1
31111090	E02_0_60592	31111090	1		H03_0_60737	31241080	1		E02_0_60592	31423084	1
31111097	I03_0_60817	31111097	1		J03_0_60869	31241080	1		G03_0_60674	31423084	1
31111229	H03_0_60737	31111229	1	31241085	E02_0_60592	31241085	1		H03_0_60737	31423084	1
31112089	I03_0_60817	31112089	1	31241100	H03_0_60737	31241100	1		I03_0_60817	31423084	1
31112092	I03_0_60817	31112092	1	31241120	J03_0_60869	31241120	1		J03_0_60869	31423084	1
31112148	J03_0_60869	31112148	1	31241126	H03_0_60737	31241126	1	31423105	D01_2_60564	31423105	1
31112149	J03_0_60869	31112149	1	31312080	G03_0_60674	31312080	1		G03_0_60674	31423105	1
31112150	E02_0_60592	31112150	1	31312082	E02_0_60592	31312082	1		K01_1_60913	31423105	1
	H03_0_60737	31112150	1	31312083	D01_2_60564	31312083	1	31510099	C01_1_60543	31510099	1
31112152	G03_0_60674	31112152	1	31312084	E02_0_60592	31312084	1	31510100	C01_1_60543	31510100	1
31112153	I03_0_60817	31112153	1	31312088	D01_2_60564	31312088	1	34110028	J03_0_60869	34110028	1
31112154	C01_1_60543	31112154	1	31312094	E02_0_60592	31312094	1	34211042	F.03.02.A0027_01	17	
	H03_0_60737	31112154	1	31312102	G03_0_60674	31312102	1		F03_0_60629	34211042	1
	I03_0_60817	31112154	1		K01_1_60913	31312102	1	34213020	J03_0_60869	34213020	1
31112211	F.03.02.A0027_01	24		31312125	E02_0_60592	31312125	1	34213022	J03_0_60869	34213022	1
	F03_0_60629	31112211	1	31411043	H03_0_60737	31411043	1	34213024	J03_0_60869	34213024	1
31112219	E02_0_60592	31112219	1	31411064	C01_1_60543	31411064	1	34213060	F.03.02.A0027_01	19	
31112293	H03_0_60737	31112293	1		L01_2_60940	31411064	1		F03_0_60629	34213060	1
31112701	J03_0_60869	31112701	1	31411084	C01_1_60543	31411084	1	34213061	F.03.02.A0027_01	21	
31121558	C01_1_60543	31121558	1		G03_0_60674	31411084	1		F03_0_60629	34213061	1
	L01_2_60940	31121558	1		J03_0_60869	31411084	1	35111047	G03_0_60674	35111047	1
31211080	D01_2_60564	31211080	1	31411090	L01_2_60940	31411090	1	35111053	F.03.02.A0027_01	29	
	H03_0_60737	31211080	1	31411104	J03_0_60869	31411104	1		F03_0_60629	35111053	1





## SPARE PARTS INSTANCE INDEX

Code	Parts Table	Pos.	Q.ty	Code	Parts Table	Pos.	Q.ty	Code	Parts Table	Pos.	Q.ty
35111055	F.03.02.A0027_01	8		39115012	K01_1_60913	39115012	1	53152402	E02_0_60592	53152402	1
	F03_0_60629	35111055	1	39116018	K01_1_60913	39116018	1	53152412	E02_0_60592	53152412	1
35121014	E02_0_60592	35121014	1	39413502	K01_1_60913	39413502	1	53156150	D01_2_60564	53156150	1
35121031	F.03.02.A0027_01	6		39414008	K01_1_60913	39414008	1	53243851	G03_0_60674	53243851	1
	F03_0_60629	35121031	1	39414010	K01_1_60913	39414010	1	53247488	D01_2_60564	53247488	1
35211120	F.03.02.A0027_01	34		39415010	K01_1_60913	39415010	1	55102678	E02_0_60592	55102678	1
	F03_0_60629	00	1	39415012	K01_1_60913	39415012	1	55147842	D01_2_60564	55147842	1
37111150	F.03.02.A0027_01	1		39416018	K01_1_60913	39416018	1	55157212	H03_0_60737	55157212	1
	F03_0_60629	37111150	1	50956262	D01_2_60564	50956262	1		I03_0_60817	55157212	1
37111152	F.03.02.A0027_01	33		52156917	H03_0_60737	52156917	1		J03_0_60869	55157212	1
	F03_0_60629	37111152	1	52357250	J03_0_60869	52357250	1	55157213	H03_0_60737	55157213	1
37111250	G03_0_60674	37111250	1	52447896	D01_2_60564	52447896	1		I03_0_60817	55157213	1
37111253	G03_0_60674	37111253	1	52448187	G03_0_60674	52448187	1		J03_0_60869	55157213	1
37112173	D01_2_60564	37112173	1	52448188	G03_0_60674	52448188	1	55157214	I03_0_60817	55157214	1
37112229	F.03.02.A0027_01	7		52456336	F.03.02.A0027_01	10		55157215	I03_0_60817	55157215	1
	F03_0_60629	37112229	1		F03_0_60629	52456336	1	55157609	D01_2_60564	55157609	1
37141250	F.03.02.A0027_01	23		52456340	F.03.02.A0027_01	32		55220363	E02_0_60592	55220363	1
	F03_0_60629	37141250	1		F03_0_60629	52456340	1	55243340	H03_0_60737	55243340	1
37320120	F.03.02.A0027_01	14		52456349	F.03.02.A0027_01	26		55247644	J03_0_60869	55247644	1
	F03_0_60629	37320120	1		F03_0_60629	52456349	1	55248038	I03_0_60817	55248038	1
37910832	F.03.02.A0027_01	12		52456354	F.03.02.A0027_01	30		55248041	I03_0_60817	55248041	1
	F03_0_60629	37910832	1		F03_0_60629	52456354	1	55248379	J03_0_60869	55248379	1
37911532	J03_0_60869	37911532	1	52456360	F.03.02.A0027_01	31		55252405	C01_1_60543	55252405	1
38111191	J03_0_60869	38111191	1		F03_0_60629	52456360	1	55252406	C01_1_60543	55252406	1
38111400	G03_0_60674	38111400	1	52456362	F03_0_60629	52456362	1	55252413	C01_1_60543	55252413	1
38211400	J03_0_60869	38211400	1	52456370	F.03.02.A0027_01	3		55252415	C01_1_60543	55252415	1
38211500	E02_0_60592	38211500	1		F03_0_60629	52456370	1	55257209	I03_0_60817	55257209	1
38213002	G03_0_60674	38213002	1	52456389	F.03.02.A0027_01	20		55257313	J03_0_60869	55257313	1
38213800	F.03.02.A0027_01	9			F03_0_60629	52456389	1	55257321	J03_0_60869	55257321	1
	F03_0_60629	38213800	1	52456390	F.03.02.A0027_01	22		56119937	L01_2_60940	56119937	1
39113502	K01_1_60913	39113502	1		F03_0_60629	52456390	1	56137370	L01_2_60940	56137370	1
39114008	K01_1_60913	39114008	1	52456706	F.03.02.A0027_01	5		56143880	G03_0_60674	56143880	1
39114010	K01_1_60913	39114010	1	53143712	K01_1_60913	53143712	1	56143883	G03_0_60674	56143883	1
39115010	K01_1_60913	39115010	1	53152401	E02_0_60592	53152401	1	56147560	J03_0_60869	56147560	1



## SPARE PARTS INSTANCE INDEX

Code	Parts Table	Pos.	Q.ty	Code	Parts Table	Pos.	Q.ty	Code	Parts Table	Pos.	Q.ty
56147574	J03_0_60869	56147574	1	56356328	F.03.02.A0027_01	28		58046912	M01_1_60965	58046912	1
56147655	I03_0_60817	56147655	1		F03_0_60629	56356328	1	58047460	L01_2_60940	58047460	1
56147672	J03_0_60869	56147672	1	56356329	F.03.02.A0027_01	28		58047649	I03_0_60817	58047649	1
56147845	D01_2_60564	56147845	1		F03_0_60629	56356329	1	58047671	J03_0_60869	58047671	1
56148037	I03_0_60817	56148037	1	56356330	F.03.02.A0027_01	28		58047712	H03_0_60737	58047712	1
56148184	G03_0_60674	56148184	1		F03_0_60629	56356330	1	58048000	I03_0_60817	58048000	1
56148285	I03_0_60817	56148285	1	56356331	F.03.02.A0027_01	28		58048009	H03_0_60737	58048009	1
56148287	I03_0_60817	56148287	1		F03_0_60629	56356331	1	58048012	I03_0_60817	58048012	1
56149590	L01_2_60940	56149590	1	56356348	F.03.02.A0027_01	16		58048035	C01_1_60543	58048035	1
56150361	I03_0_60817	56150361	1		F03_0_60629	56356348	1	58050345	I03_0_60817	58050345	1
56152403	E02_0_60592	56152403	1	56356924	H03_0_60737	56356924	1	58052019	M02_1_60983	58052019	1
56156261	E02_0_60592	56156261	1	56443871	G03_0_60674	56443871	1	58052026	M02_1_60983	58052026	1
56156276	D01_2_60564	56156276	1	56448183	G03_0_60674	56448183	1	58052029	M02_1_60983	58052029	1
56156281	D01_2_60564	56156281	1	56448196	G03_0_60674	56448196	1	58052037	M02_1_60983	58052037	1
56156284	D01_2_60564	56156284	1	56456347	F.03.02.A0027_01	15		58052039	M02_1_60983	58052039	1
56156285	D01_2_60564	56156285	1		F03_0_60629	56456347	1	58052045	M02_1_60983	58052045	1
56156603	I03_0_60817	56156603	1	56456351	F03_0_60629	56456351	1	58052046	M02_1_60983	58052046	1
56156604	I03_0_60817	56156604	1	56456476	F.03.02.A0027_01	27		58052047	M02_1_60983	58052047	1
56156940	H03_0_60737	56156940	1		F03_0_60629	56456476	1	58052156	M02_1_60983	58052156	1
56156948	H03_0_60737	56156948	1	56456736	F.03.02.A0027_01	13		58052288	K01_1_60913	58052288	1
56157208	I03_0_60817	56157208	1	58002429	I03_0_60817	58002429	1	58052326	K01_1_60913	58052326	1
56157239	J03_0_60869	56157239	1	58002538	I03_0_60817	58002538	1	58052327	K01_1_60913	58052327	1
56157271	J03_0_60869	56157271	1	58042167	H03_0_60737	58042167	1	58052328	K01_1_60913	58052328	1
56157303	J03_0_60869	56157303	1	58043053	E02_0_60592	58043053	1	58056391	F.03.02.A0027_01	11	
56157324	J03_0_60869	56157324	1	58043086	F.03.02.A0027_01	18			F03_0_60629	58056391	1
56157363	J03_0_60869	56157363	1		F03_0_60629	58043086	1	58056593	I03_0_60817	58056593	1
56157364	J03_0_60869	56157364	1	58043117	E02_0_60592	58043117	1	58056595	I03_0_60817	58056595	1
56157387	L01_2_60940	56157387	1	58043176	J03_0_60869	58043176	1	58056918	H03_0_60737	58056918	1
56157393	C01_1_60543	56157393	1	58043216	I03_0_60817	58043216	1	58056942	H03_0_60737	58056942	1
56157399	C01_1_60543	56157399	1	58043855	G03_0_60674	58043855	1	58056991	C01_1_60543	58056991	1
56157411	H03_0_60737	56157411	1	58043874	G03_0_60674	58043874	1		H03_0_60737	58056991	1
56157412	H03_0_60737	56157412	1	58043881	G03_0_60674	58043881	1	58057205	I03_0_60817	58057205	1
56157606	E02_0_60592	56157606	1	58045804	L01_2_60940	58045804	1	58057232	J03_0_60869	58057232	1
56157607	E02_0_60592	56157607	1	58045807	L01_2_60940	58045807	1	58057263	I03_0_60817	58057263	1



## SPARE PARTS INSTANCE INDEX

Code	Parts Table	Pos.	Q.ty	Code	Parts Table	Pos.	Q.ty	Code	Parts Table	Pos.	Q.ty
58057354	I03_0_60817	58057354	1	59053021	C01_1_60543	59053021	1	F0825500220	L01_2_60940	F0825500	1
58057355	I03_0_60817	58057355	1	59053040	C01_1_60543	59053040	1	F0831193010	J03_0_60869	F0831193	1
58057385	C01_1_60543	58057385	1	59053221	C01_1_60543	59053221	1				
58057386	L01_2_60940	58057386	1	59056258	E02_0_60592	59056258	1				
58057413	H03_0_60737	58057413	1	59056259	E02_0_60592	59056259	1				
58057417	H03_0_60737	58057417	1	59056365	F03_0_60629	59056365	1				
58057418	I03_0_60817	58057418	1	59056383	F.03.02.A0027_01	2					
58057419	H03_0_60737	58057419	1		F03_0_60629	59056383	1				
58057421	I03_0_60817	58057421	1	59056707	F.03.02.A0027_01	4					
58057422	I03_0_60817	58057422	1	59057000	H03_0_60737	59057000	1				
58057450	M01_1_60965	58057450	1	59057008	J03_0_60869	59057008	1				
58057451	M01_1_60965	58057451	1	59057010	H03_0_60737	59057010	1				
58057610	L01_2_60940	58057610	1	59057011	H03_0_60737	59057011	1				
58057625	M01_1_60965	58057625	1	59057210	I03_0_60817	59057210	1				
58057676	M01_1_60965	58057676	1	59057300	J03_0_60869	59057300	1				
58057677	M01_1_60965	58057677	1	59057317	J03_0_60869	59057317	1				
58057678	M01_1_60965	58057678	1	59057390	L01_2_60940	59057390	1				
58057688	M01_1_60965	58057688	1	59057604	L01_2_60940	59057604	1				
58057704	M01_1_60965	58057704	1	59247884	D01_2_60564	59247884	1				
58057724	M01_1_60965	58057724	1	59247924	D01_2_60564	59247924	1				
58057746	M01_1_60965	58057746	1	59247971	D01_2_60564	59247971	1				
58057748	M01_1_60965	58057748	1	59256255	D01_2_60564	59256255	1				
58057767	M01_1_60965	58057767	1	59256275	D01_2_60564	59256275	1				
58057768	M01_1_60965	58057768	1	59256279	D01_2_60564	59256279	1				
58057770	M01_1_60965	58057770	1	59256280	D01_2_60564	59256280	1				
58057772	M01_1_60965	58057772	1	59257147	I03_0_60817	59257147	1				
58093089	M01_1_60965	58093089	1	59257200	I03_0_60817	59257200	1				
58135225	L01_2_60940	58135225	1	59257409	H03_0_60737	59257409	1				
58147704	I03_0_60817	58147704	1	92243685	K01_1_60913	92243685	1				
58150313	I03_0_60817	58150313	1	92243686	K01_1_60913	92243686	1				
58156156	I03_0_60817	58156156	1	92248715	K01_1_60913	92248715	1				
58157405	L01_2_60940	58157405	1	92248720	K01_1_60913	92248720	1				
59015425	E02_0_60592	59015425	1	92480721	K01_1_60913	92480721	1				
59048199	G03_0_60674	59048199	1	F0825500210	L01_2_60940	F0825500	1				